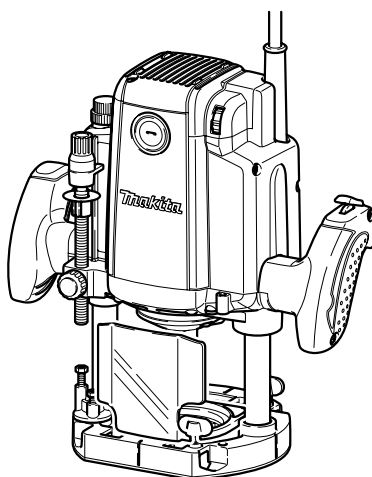
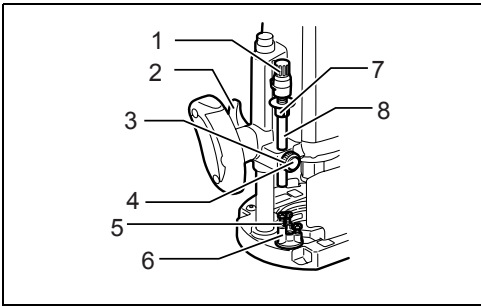




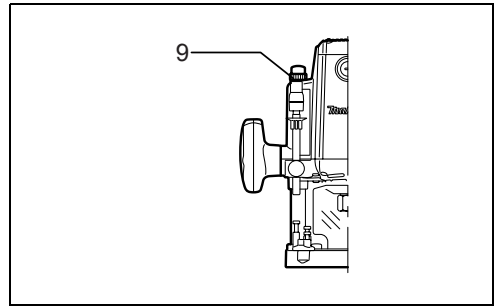
GB Router	Instruction manual
F Défonceuse	Manuel d'instructions
D Oberfräse	Betriebsanleitung
I Fresatrice verticale	Istruzioni per l'uso
NL Bovenfrees	Gebruiksaanwijzing
E Fresadora	Manual de instrucciones
P Fresadora	Manual de instruções
DK Overfræser	Brugsanvisning
GR Ρούτερ	Οδηγίες χρήσης

RP1800
RP1800F
RP1801
RP1801F
RP2300FC
RP2301FC

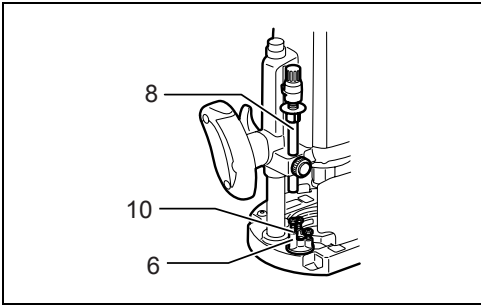




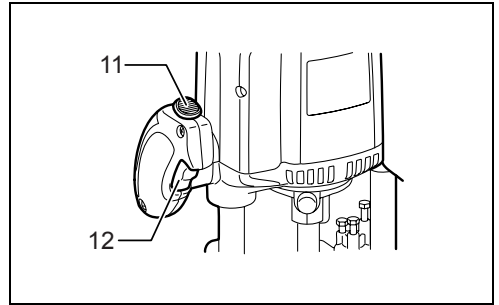
1



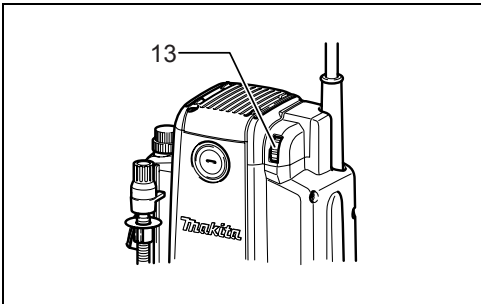
2



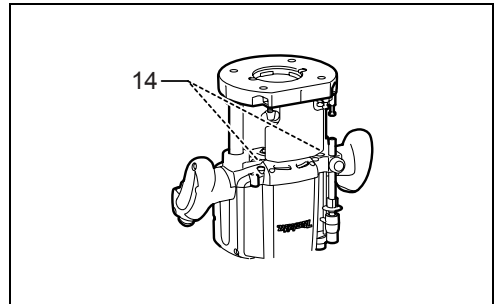
3



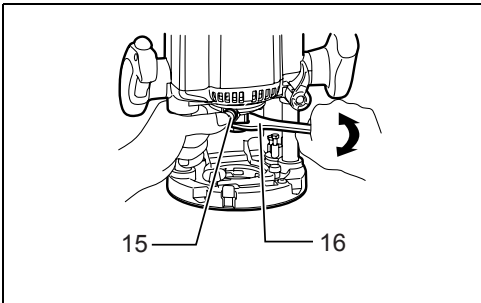
4



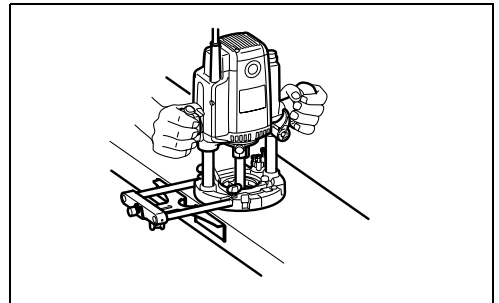
5



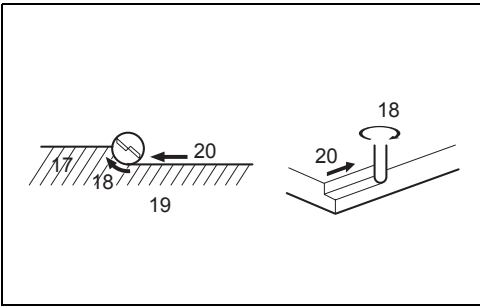
6



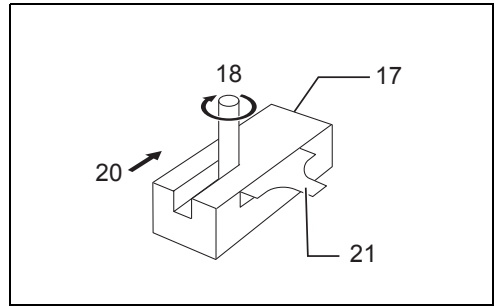
7



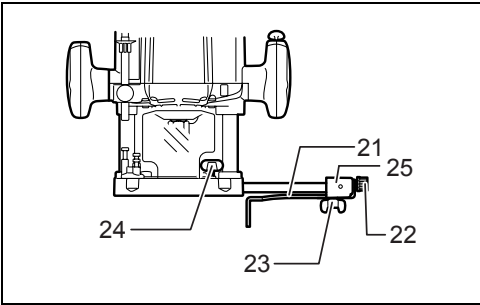
8



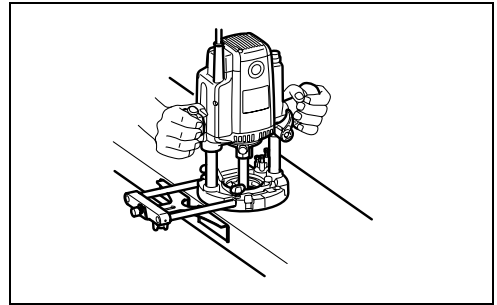
9



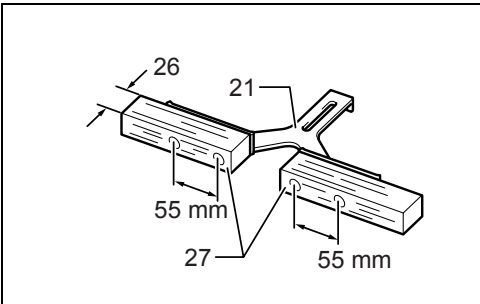
10



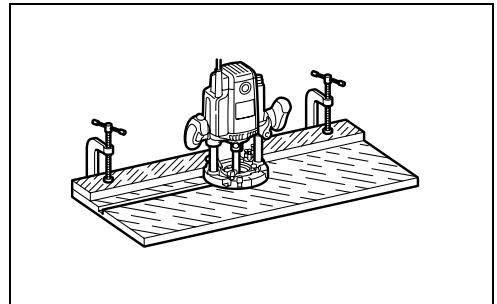
11



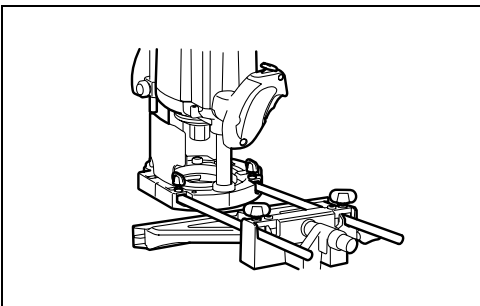
12



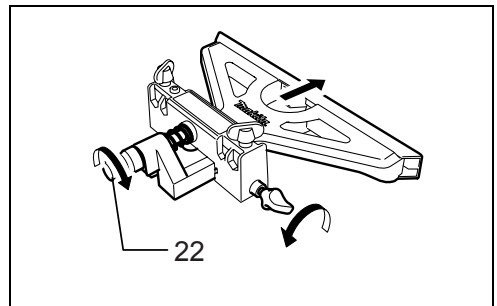
13



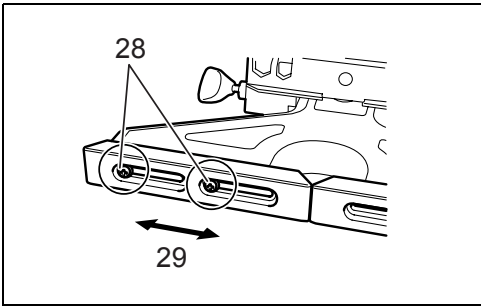
14



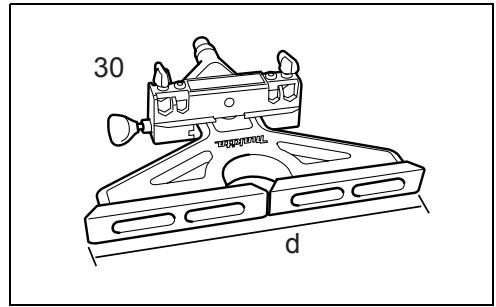
15



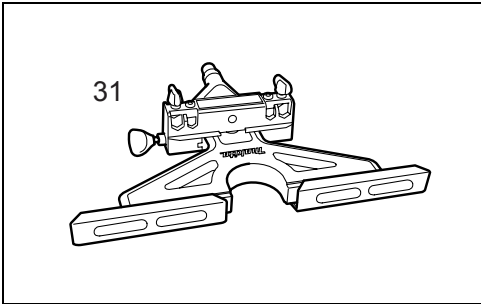
16



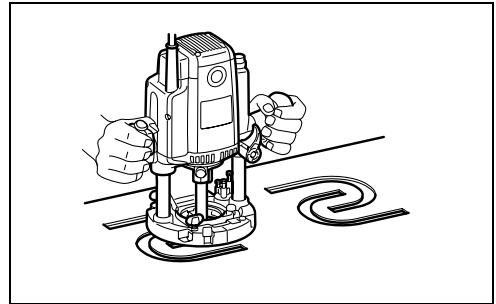
17



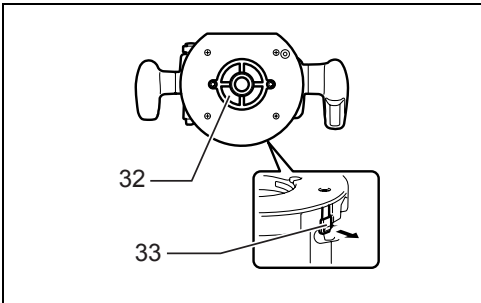
18



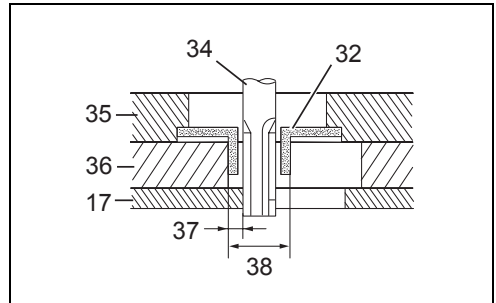
19



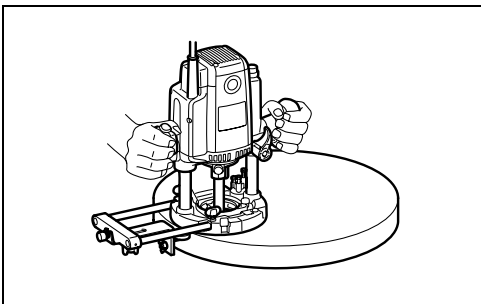
20



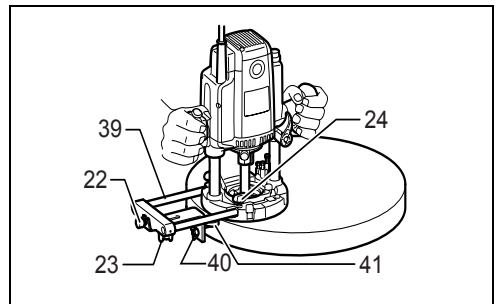
21



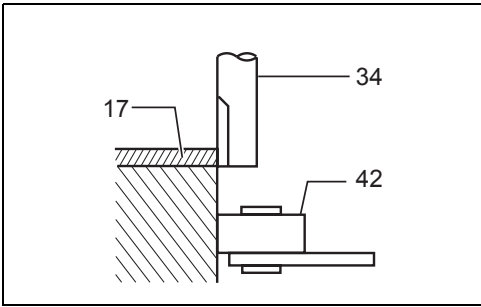
22



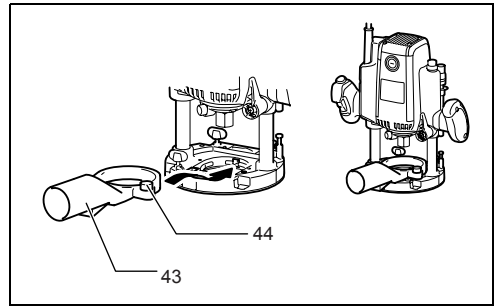
23



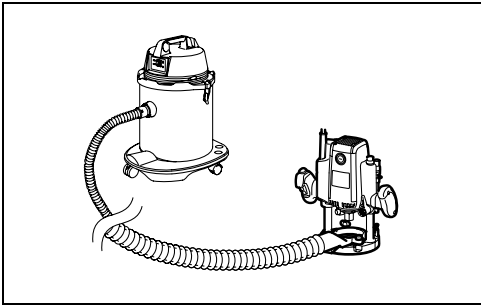
24



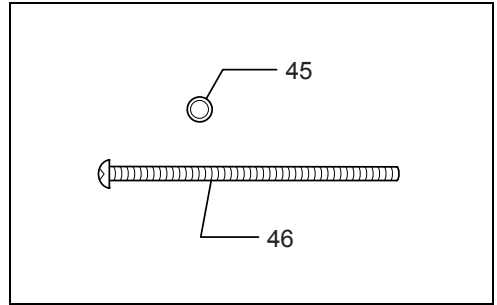
25



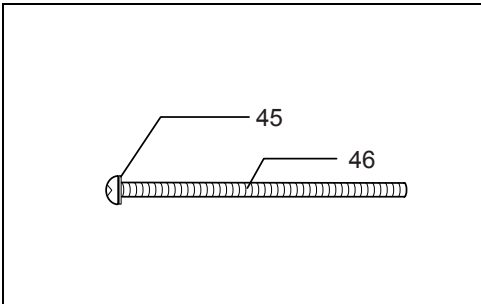
26



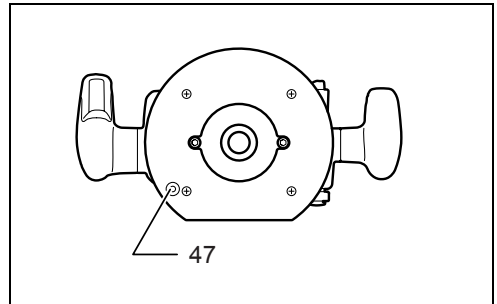
27



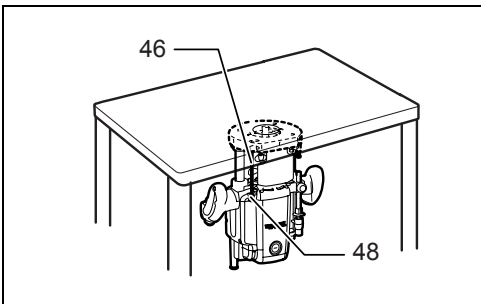
28



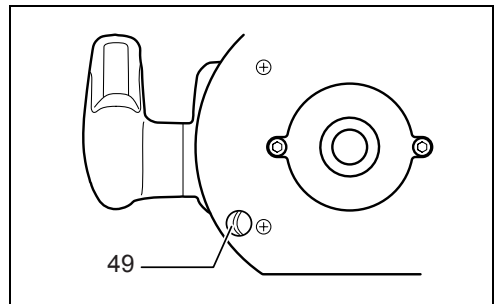
29



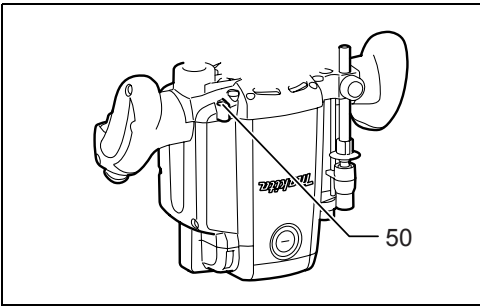
30



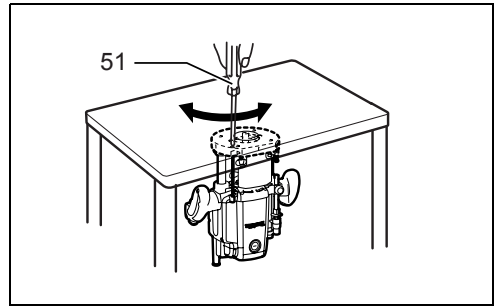
31



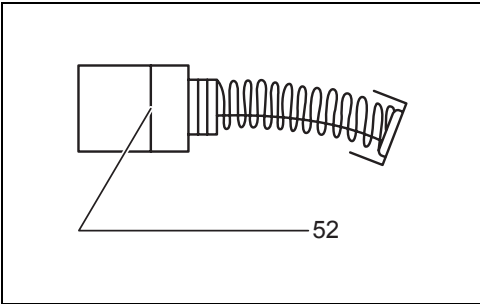
32



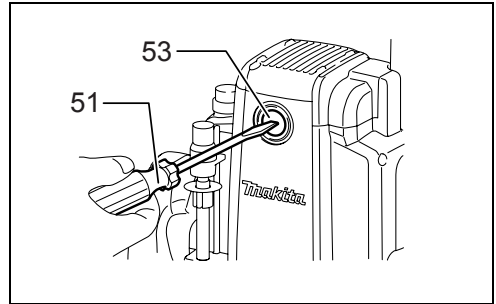
33



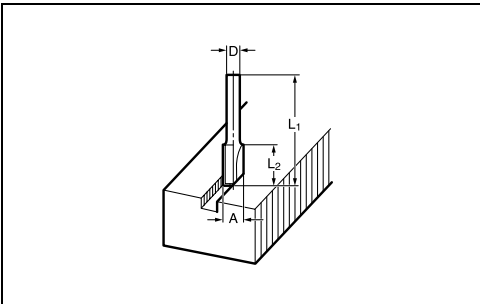
34



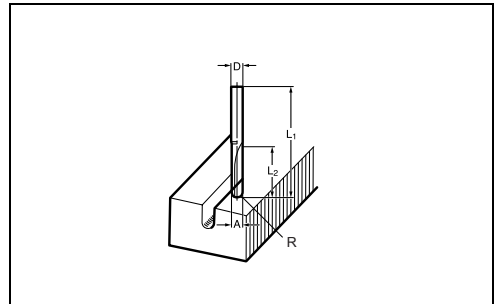
35



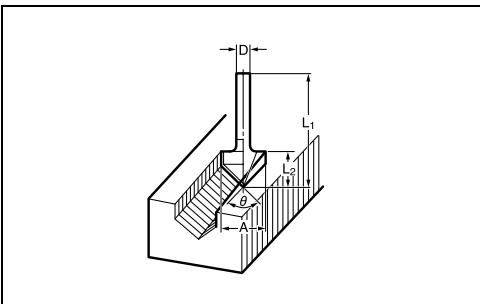
36



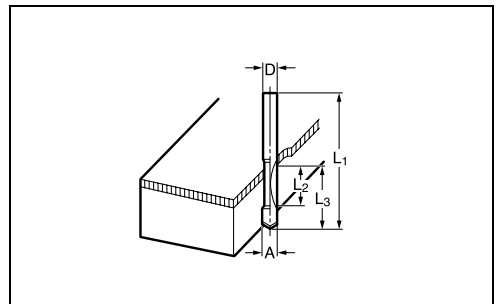
37



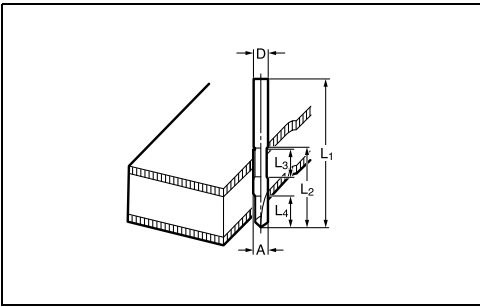
38



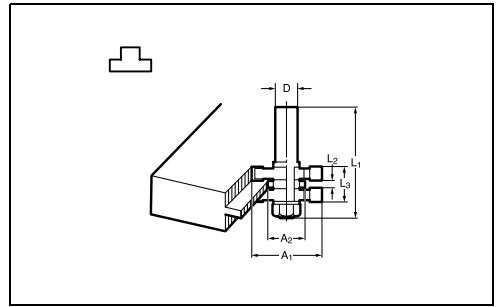
39



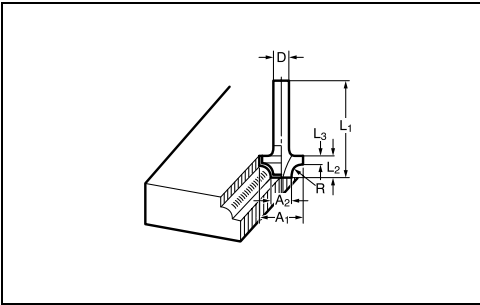
40



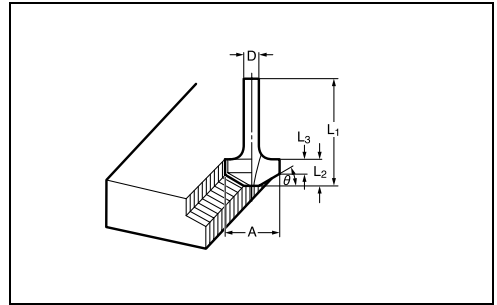
41



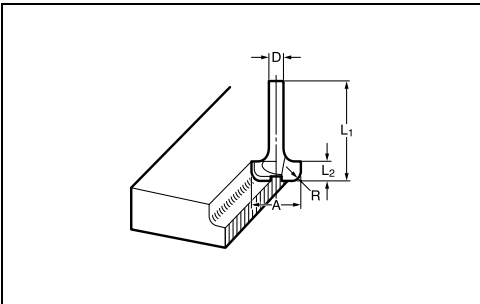
42



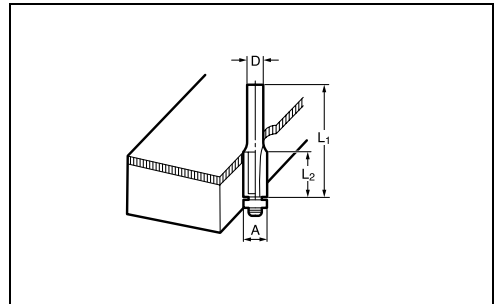
43



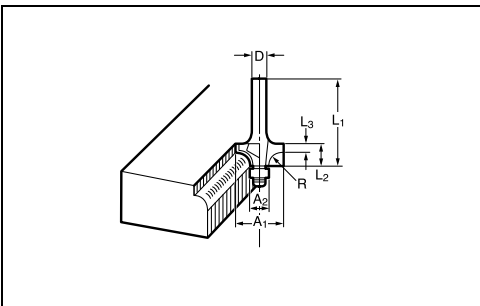
44



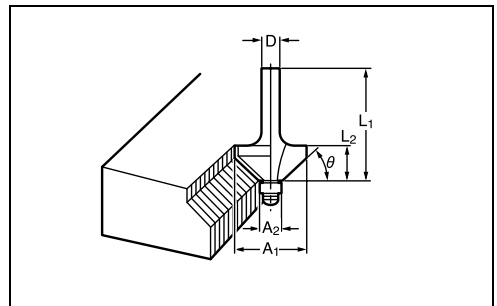
45



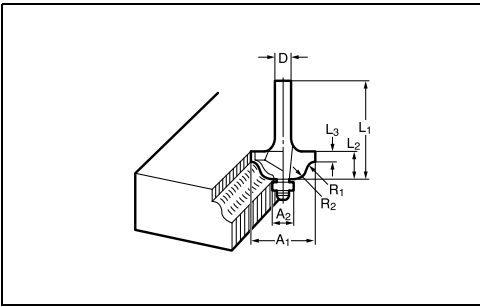
46



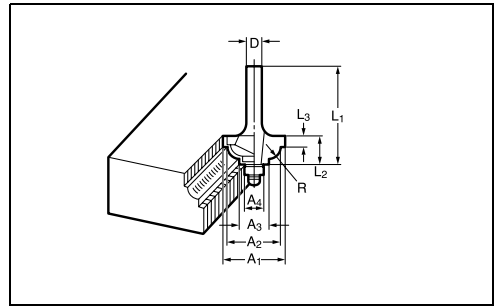
47



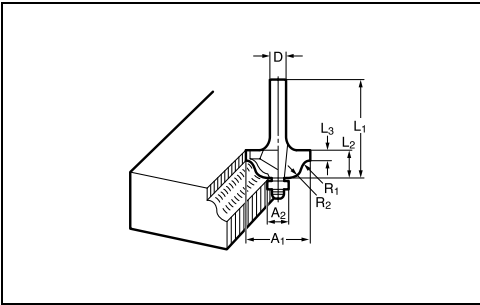
48



49



50



51

ENGLISH

Explanation of general view

- | | | |
|-----------------------------------|---|---|
| 1. Adjusting knob | 22. Fine adjusting screw | 40. Clamping screw (C) |
| 2. Lock lever | 23. Clamping screw (B) | 41. Trimmer guide |
| 3. Stopper pole setting nut | 24. Clamping screw (A) | 42. Guide roller |
| 4. Fast-feed button | 25. Guide holder | 43. Dust nozzle |
| 5. Adjusting bolt | 26. More than 15 mm | 44. Clamping screw |
| 6. Stopper block | 27. Wood | 45. Flat washer 6 |
| 7. Depth pointer | 28. Screws | 46. Screw M6 x 135 |
| 8. Stopper pole | 29. Movable | 47. Hole |
| 9. Nylon nut | 30. When set to minimum opening width | 48. Threaded part in the motor bracket |
| 10. Adjusting bolt | 31. When set to maximum opening width | 49. Inside of the screw hole in the tool base |
| 11. Lock button | 32. Template guide | 50. Threaded part in the motor bracket |
| 12. Switch trigger | 33. Lock plate | 51. Screwdriver |
| 13. Speed adjusting dial | 34. Bit | 52. Limit mark |
| 14. Lamp | 35. Base | 53. Brush holder cap |
| 15. Shaft lock | 36. Templet | |
| 16. Wrench | 37. Distance (X) | |
| 17. Workpiece | 38. Outside diameter of the templet guide | |
| 18. Bit revolving direction | 39. Guide holder | |
| 19. View from the top of the tool | | |
| 20. Feed direction | | |
| 21. Straight guide | | |

SPECIFICATIONS

Model	RP1800/ RP1800F	RP1801/ RP1801F	RP2300FC	RP2301FC
Collet chuck capacity	12 mm or 1/2"			
Plunge capacity	0 - 70 mm			
No load speed (min ⁻¹)	22,000		9,000 - 22,000	
Overall length	312 mm			
Net weight	6.0 kg		6.1 kg	
Safety class	□/II			

- Due to our continuing programme of research and development, the specifications herein are subject to change without notice.
- Note: Specifications may differ from country to country.
- Weight according to EPTA-Procedure 01/2003

Intended use

ENE010-1

The tool is intended for flush trimming and profiling of wood, plastic and similar materials.

Power supply

ENF002-1

The tool should be connected only to a power supply of the same voltage as indicated on the nameplate, and can only be operated on single-phase AC supply. They are double-insulated in accordance with European Standard and can, therefore, also be used from sockets without earth wire.

SPECIFIC SAFETY RULES

GEB018-1

DO NOT let comfort or familiarity with product (gained from repeated use) replace strict adherence to router safety rules. If you use this tool unsafely or incorrectly, you can suffer serious personal injury.

1. **Hold power tools by insulated gripping surfaces when performing an operation where the cutting tool may contact hidden wiring or its own cord.**
2. **Use clamps or another practical way to secure and support the workpiece to a stable platform.** Holding the work by hand or against your body leaves it unstable and may lead to loss of control.
3. **Wear hearing protection during extended period of operation.**
4. **Handle the bits very carefully.**
5. **Check the bit carefully for cracks or damage before operation. Replace cracked or damaged bit immediately.**
6. **Avoid cutting nails. Inspect for and remove all nails from the workpiece before operation.**
7. **Hold the tool firmly with both hands.**
8. **Keep hands away from rotating parts.**
9. **Make sure the bit is not contacting the workpiece before the switch is turned on.**
10. **Before using the tool on an actual workpiece, let it run for a while. Watch for vibration or wobbling that could indicate improperly installed bit.**

11. **Be careful of the bit rotating direction and the feed direction.**
12. **Do not leave the tool running. Operate the tool only when hand-held.**
13. **Always switch off and wait for the bit to come to a complete stop before removing the tool from workpiece.**
14. **Do not touch the bit immediately after operation; it may be extremely hot and could burn your skin.**
15. **Do not smear the tool base carelessly with thinner, gasoline, oil or the like. They may cause cracks in the tool base.**
16. **Draw attention to the need to use cutters of the correct shank diameter and which are suitable for the speed of the tool.**
17. **Some material contains chemicals which may be toxic. Take caution to prevent dust inhalation and skin contact. Follow material supplier safety data.**
18. **Always use the correct dust mask/respirator for the material and application you are working with.**

SAVE THESE INSTRUCTIONS.

WARNING:

MISUSE or failure to follow the safety rules stated in this instruction manual may cause serious personal injury.

FUNCTIONAL DESCRIPTION

CAUTION:

- Always be sure that the tool is switched off and unplugged before adjusting or checking function on the tool.

Adjusting the depth of cut (Fig. 1)

Place the tool on a flat surface. Loosen the lock lever and lower the tool body until the bit just touches the flat surface. Tighten the lock lever to lock the tool body.

Turn the stopper pole setting nut counterclockwise. Lower the stopper pole until it makes contact with the adjusting bolt. Align the depth pointer with the "0" graduation. The depth of cut is indicated on the scale by the depth pointer. While pressing the fast-feed button, raise the stopper pole until the desired depth of cut is obtained. Minute depth adjustments can be obtained by turning the adjusting knob (1 mm per turn).

By turning the stopper pole setting nut clockwise, you can fasten the stopper pole firmly.

Now, your predetermined depth of cut can be obtained by loosening the lock lever and then lowering the tool body until the stopper pole makes contact with the adjusting hex bolt of the stopper block.

Nylon nut (Fig. 2)

The upper limit of the tool body can be adjusted by turning the nylon nut.

CAUTION:

- Do not lower the nylon nut too low. The bit will protrude dangerously.

Stopper block (Fig. 3)

The stopper block has three adjusting hex bolts which raise or lower 0.8 mm per turn. You can easily obtain

three different depths of cut using these adjusting hex bolts without readjusting the stopper pole.

Adjust the lowest hex bolt to obtain the deepest depth of cut, following the method of "Adjusting depth of cut".

Adjust the two remaining hex bolts to obtain shallower depths of cut. The differences in height of these hex bolts are equal to the differences in depths of cut.

To adjust the hex bolts, turn the hex bolts with a screwdriver or wrench. The stopper block is also convenient for making three passes with progressively deeper bit settings when cutting deep grooves.

CAUTION:

- Since excessive cutting may cause overload of the motor or difficulty in controlling the tool, the depth of cut should not be more than 15 mm at a pass when cutting grooves with an 8 mm diameter bit.
- When cutting grooves with a 20 mm diameter bit, the depth of cut should not be more than 5 mm at a pass.
- For extra-deep grooving operations, make two or three passes with progressively deeper bit settings.

Switch action (Fig. 4)

CAUTION:

- Before plugging in the tool, always check to see that the switch trigger actuates properly and returns to the "OFF" position when released.
- Make sure that the shaft lock is released before the switch is turned on.

To prevent the switch trigger from being accidentally pulled, a lock button is provided.

To start the tool, depress the lock button and pull the switch trigger. Release the switch trigger to stop.

For continuous operation, pull the switch trigger and then depress the lock button further. To stop the tool, pull the switch trigger so that the lock button returns automatically. Then release the switch trigger.

After releasing the switch trigger, the lock-off function works to prevent the switch trigger from being pulled.

CAUTION:

- Hold the tool firmly when turning off the tool, to overcome the reaction.

Electronic function

For model RP2300FC, RP2301FC only

Constant speed control

- Possible to get fine finish, because the rotating speed is kept constantly even under the loaded condition.
- Additionally, when the load on the tool exceeds admissible levels, power to the motor is reduced to protect the motor from overheating. When the load returns to admissible levels, the tool will operate as normal.

Soft start feature

- Soft start because of suppressed starting shock.

Speed adjusting dial

For model RP2300FC, RP2301FC only (Fig. 5)

The tool speed can be changed by turning the speed adjusting dial to a given number setting from 1 to 6.

Higher speed is obtained when the dial is turned in the direction of number 6. And lower speed is obtained when it is turned in the direction of number 1.

This allows the ideal speed to be selected for optimum material processing, i.e. the speed can be correctly adjusted to suit the material and bit diameter.

Refer to the table for the relationship between the number settings on the dial and the approximate tool speed.

Number	min ⁻¹
1	9,000
2	11,000
3	14,000
4	17,000
5	20,000
6	22,000

CAUTION:

- If the tool is operated continuously at low speeds for a long time, the motor will get overloaded, resulting in tool malfunction.
- The speed adjusting dial can be turned only as far as 6 and back to 1. Do not force it past 6 or 1, or the speed adjusting function may no longer work.

Lighting up the lamps

For model RP1800F, RP1801F, RP2300FC, RP2301FC only (Fig. 6)

CAUTION:

- Do not look in the light or see the source of light directly.

Pull the switch trigger to turn on the light. The lamp keeps on lighting while the switch trigger is being pulled.

The lamp turns off 10 - 15 seconds after releasing the trigger.

NOTE:

- Use a dry cloth to wipe the dirt off the lens of lamp. Be careful not to scratch the lens of lamp, or it may lower the illumination.

ASSEMBLY

CAUTION:

- Always be sure that the tool is switched off and unplugged before carrying out any work on the tool.

Installing or removing the bit (Fig. 7)

CAUTION:

- Install the bit securely. Always use only the wrench provided with the tool. A loose or overtightened bit can be dangerous.
- Use always a collet which is suitable for the shank diameter of the bit.
- Do not tighten the collet nut without inserting a bit or install small shank bits without using a collet sleeve. Either can lead to breakage of the collet cone.
- Use only router bits of which the maximum speed, as indicated on the bit, does exceed the maximum speed of the router.

Insert the bit all the way into the collet cone. Press the shaft lock to keep the shaft stationary and use the wrench

to tighten the collet nut securely. When using router bits with smaller shank diameter, first insert the appropriate collet sleeve into the collet cone, then install the bit as described above.

To remove the bit, follow the installation procedure in reverse.

OPERATION

CAUTION:

- Before operation, always make sure that the tool body automatically rises to the upper limit and the bit does not protrude from the tool base when the lock lever is loosened.
- Before operation, always make sure that the chip deflector is installed properly. (Fig. 8)

Always use both grips and firmly hold the tool by both grips during operations.

Set the tool base on the workpiece to be cut without the bit making any contact. Then turn the tool on and wait until the bit attains full speed. Lower the tool body and move the tool forward over the workpiece surface, keeping the tool base flush and advancing smoothly until the cutting is complete.

When doing edge cutting, the workpiece surface should be on the left side of the bit in the feed direction. (Fig. 9)

NOTE:

- Moving the tool forward too fast may cause a poor quality of cut, or damage to the bit or motor. Moving the tool forward too slowly may burn and mar the cut. The proper feed rate will depend on the bit size, the kind of workpiece and depth of cut. Before beginning the cut on the actual workpiece, it is advisable to make a sample cut on a piece of scrap lumber. This will show exactly how the cut will look as well as enable you to check dimensions.
- When using the straight guide or the trimmer guide, be sure to install it on the right side in the feed direction. This will help to keep it flush with the side of the workpiece. (Fig. 10)

Straight guide (Fig. 11)

The straight guide is effectively used for straight cuts when chamfering or grooving.

Install the straight guide on the guide holder with the clamping screw (B). Insert the guide holder into the holes in the tool base and tighten the clamping screw (A).

To adjust the distance between the bit and the straight guide, loosen the clamping screw (B) and turn the fine adjusting screw (1.5 mm per turn). At the desired distance, tighten the clamping screw (B) to secure the straight guide in place. (Fig. 12)

Wider straight guide of desired dimensions may be made by using the convenient holes in the guide to bolt on extra pieces of wood. (Fig. 13)

When using a large diameter bit, attach pieces of wood to the straight guide which have a thickness of more than 15 mm to prevent the bit from striking the straight guide.

When cutting, move the tool with the straight guide flush with the side of the workpiece.

If the distance between the side of the workpiece and the cutting position is too wide for the straight guide, or if the side of the workpiece is not straight, the straight guide cannot be used. In this case, firmly clamp a straight board

to the workpiece and use it as a guide against the trimmer base. Feed the tool in the direction of the arrow. (Fig. 14)

Fine Adjusting Straight Guide (accessory) (Fig. 15)

When Router is Mounted

Insert the two rods (Rod 10) into the outer mounting slots of the guide holder, and secure them by tightening the two clamping screws (M15 x 14 mm). Check to make sure that the thumb nut (M6 x 50 mm) is tightened down, and then slide the router's base mounting unit onto the two rods (Rod 10), and tighten the base's clamping screws.

Fine Adjusting Function for Positioning Blade in Relation to Straight Guide (Fig. 16)

1. Loosen thumb nut (M6 x 50 mm).
2. Thumb nut (M10 x 52 mm) can be turned to adjust position (one turn adjusts the position by 1 mm).
3. After completing position adjustment, tighten thumb nut (M6 x 50 mm) until secure.

Scale ring can be rotated separately, so scale unit can be aligned to zero (0).

Guide Shoe Width Alteration

Loosen the screws marked by the circles to alter the width of the guide shoe in the left and right directions.

After altering width, tighten the screws until they are secure. Guide shoe width (d) alteration range is 280 mm to 350 mm. (Fig. 17 - 19)

Templet guide (optional accessory) (Fig. 20)

The templet guide provides a sleeve through which the bit passes, allowing use of the tool with templet patterns.

To install the templet guide, pull the lock plate lever and insert the templet guide. (Fig. 21)

Secure the templet to the workpiece. Place the tool on the templet and move the tool with the templet guide sliding along the side of the templet. (Fig. 22)

NOTE:

- The workpiece will be cut a slightly different size from the templet. Allow for the distance (X) between the bit and the outside of the templet guide. The distance (X) can be calculated by using the following equation:
Distance (X) = (outside diameter of the templet guide - bit diameter) / 2

Trimmer guide (optional accessory) (Fig. 23)

Trimming, curved cuts in veneers for furniture and the like can be done easily with the trimmer guide. The guide roller rides the curve and assures a fine cut.

Install the trimmer guide on the guide holder with the clamping screw (B). Insert the guide holder into the holes in the tool base and tighten the clamping screw (A).

To adjust the distance between the bit and the trimmer guide, loosen the clamping screw (B) and turn the fine adjusting screw (1.5 mm per turn). When adjusting the guide roller up or down, loosen the clamping screw (C).

After adjusting, tighten all the clamping screws securely. (Fig. 24)

When cutting, move the tool with the guide roller riding the side of the workpiece. (Fig. 25)

Dust nozzle set (Accessory) (Fig. 26)

Use the dust nozzle for dust extraction. Install the dust nozzle on the tool base using the thumb screw so that protrusion on the dust nozzle fit to the notch in the tool base.

Then connect a vacuum cleaner to the dust nozzle. (Fig. 27)

How to use screw M6 x 135 for adjusting the depth of cut

When using the tool with a router table available in the market, using this screw allows an operator to obtain a small amount of adjustment of the depth of cut from above the table. (Fig. 28)

1. Installing the screw and washer on the tool

- Attach flat washer onto this screw.
- Insert this screw through a screw hole in the tool base and then screw in the threaded part in the motor bracket of the tool. (Fig. 29 - 31)

At this time, apply some grease or lubricating oil to the inside of the screw hole in the tool base and the threaded part in the motor bracket. (Fig. 32 & 33)

2. Adjusting the depth of cut

- A small amount of depth of cut can be obtained by turning this screw with a screwdriver from above the table. (1.0 mm per a full turn)
- Turning it clockwise makes the depth of cut greater and turning it counterclockwise smaller. (Fig. 34)

MAINTENANCE

CAUTION:

- Always be sure that the tool is switched off and unplugged before attempting to perform inspection or maintenance.

Replacing carbon brushes (Fig. 35)

Remove and check the carbon brushes regularly.

Replace when they wear down to the limit mark. Keep the carbon brushes clean and free to slip in the holders. Both carbon brushes should be replaced at the same time. Use only identical carbon brushes.

Use a screwdriver to remove the brush holder caps. Take out the worn carbon brushes, insert the new ones and secure the brush holder caps. (Fig. 36)

After replacing brushes, plug in the tool and break in brushes by running tool with no load for about 10 minutes. Then check the tool while running and electric brake operation when releasing the switch trigger. If electric brake is not working well, ask your local Makita service center for repair.

To maintain product SAFETY and RELIABILITY, repairs, any other maintenance or adjustment should be performed by Makita Authorized Service Centers, always using Makita replacement parts.

ACCESSORIES

CAUTION:

- These accessories or attachments are recommended for use with your Makita tool specified in this manual. The use of any other accessories or attachments might present a risk of injury to persons. Only use accessory or attachment for its stated purpose.

If you need any assistance for more details regarding these accessories, ask your local Makita Service Center.

- Straight & groove forming bits
- Edge forming bits
- Laminate trimming bits
- Straight guide
- Trimmer guide
- Guide holder
- Templet guides
- Templet guide adapter
- Lock nut
- Collet cone 12 mm, 1/2"
- Collet sleeve 6 mm, 8 mm, 10 mm
- Collet sleeve 3/8", 1/4"
- Wrench 24
- Vacuum head set

Router bits

Straight bit (Fig. 37)

mm

D	A	L 1	L 2
6	20	50	15
1/4"			
12	12	60	30
1/2"			
12	10	60	25
1/2"			
8	8	60	25
6	8	50	18
1/4"			
6	6	50	18
1/4"			

"U" Grooving bit (Fig. 38)

mm

D	A	L 1	L 2	R
6	6	50	18	3

"V" Grooving bit (Fig. 39)

mm

D	A	L 1	L 2	θ
1/4"	20	50	15	90°

Drill point flush trimming bit (Fig. 40)

mm

D	A	L 1	L 2	L 3
12	12	60	20	35
8	8	60	20	35
6	6	60	18	28

Drill point double flush trimming bit (Fig. 41)

mm

D	A	L 1	L 2	L 3	L 4
6	6	70	40	12	14

Board-jointing bit (Fig. 42)

mm

D	A 1	A 2	L 1	L 2	L 3
12	38	27	61	4	20

Corner rounding bit (Fig. 43)

mm

D	A 1	A 2	L 1	L 2	L 3	R
6	25	9	48	13	5	8
6	20	8	45	10	4	4

Chamfering bit (Fig. 44)

mm

D	A	L 1	L 2	L 3	θ
6	23	46	11	6	30°
6	20	50	13	5	45°
6	20	49	14	2	60°

Cove beading bit (Fig. 45)

mm

D	A	L 1	L 2	R
6	20	43	8	4
6	25	48	13	8

Ball bearing flush trimming bit (Fig. 46)

mm

D	A	L 1	L 2
6	10	50	20
1/4"			

Ball bearing corner rounding bit (Fig. 47)

mm

D	A 1	A 2	L 1	L 2	L 3	R
6	15	8	37	7	3.5	3
6	21	8	40	10	3.5	6
1/4"	21	8	40	10	3.5	6

Ball bearing chamfering bit (Fig. 48)

mm

D	A 1	A 2	L 1	L 2	θ
6	26	8	42	12	45°
1/4"					
6	20	8	41	11	60°

Ball bearing beading bit (Fig. 49)

mm

D	A 1	A 2	A 3	L 1	L 2	L 3	R
6	20	12	8	40	10	5.5	4
6	26	12	8	42	12	4.5	7

Ball bearing cove beading bit (Fig. 50)

mm

D	A 1	A 2	A 3	A 4	L 1	L 2	L 3	R
6	20	18	12	8	40	10	5.5	3
6	26	22	12	8	42	12	5	5

Ball bearing roman ogee bit (Fig. 51)

mm

D	A 1	A 2	L 1	L 2	L 3	R1	R2
6	20	8	40	10	4.5	2.5	4.5
6	26	8	42	12	4.5	3	6

For Model RP1800, RP1800F, RP1801**For European countries only****Noise**

ENG102-1

The typical A-weighted noise level determined according to EN60745-2-17:

Sound pressure level (L_{pA}): 86 dB (A)

Sound power level (L_{WA}): 97 dB (A)

Uncertainty (K): 3 dB (A)

Wear ear protection**Vibration**

NEG223-1

The vibration total value (tri-axial vector sum) determined according to EN60745-2-17:

Work mode: cutting grooves in MDF

Vibration emission (a_{h1}): 4.0 m/s²

Uncertainty (K): 1.5 m/s²

For Model RP2300FC, RP2301FC**For European countries only****Noise**

ENG102-1

The typical A-weighted noise level determined according to EN60745-2-17:

Sound pressure level (L_{pA}): 87 dB (A)

Sound power level (L_{WA}): 98 dB (A)

Uncertainty (K): 3 dB (A)

Wear ear protection**Vibration**

ENG223-1

The vibration total value (tri-axial vector sum) determined according to EN60745-2-17:

Work mode: cutting grooves in MDF

Vibration emission (a_{h1}): 4.5 m/s²

Uncertainty (K): 1.5 m/s²

EC-DECLARATION OF CONFORMITY

ENH101-9

Model;**RP1800, RP1800F, RP1801, RP2300FC, RP2301FC**

We declare under our sole responsibility that this product is in compliance with the following standards of standardized documents;

EN60745, EN55014, EN61000 in accordance with Council Directives, 2004/108/EC, 98/37/EC.

CE2008


Tomoyasu Kato
Director

Responsible Manufacturer:

Makita Corporation

3-11-8, Sumiyoshi-cho, Anjo, Aichi, JAPAN

Authorized Representative in Europe:

Makita International Europe Ltd.

Michigan Drive, Tongwell, Milton Keynes, Bucks MK15 8JD, ENGLAND

Descriptif

1. Bouton de réglage	22. Vis de réglage fin	40. Vis de serrage (C)
2. Levier de verrouillage	23. Vis de serrage (B)	41. Guide d'affleurement
3. Écrou de réglage de la tige d'arrêt	24. Vis de serrage (A)	42. Galet du guide
4. Bouton d'avance rapide	25. Support du guide	43. Raccord à poussières
5. Boulon de réglage	26. Plus de 15 mm	44. Vis de serrage
6. Butoir	27. Bois	45. Rondelle plate 6
7. Index de profondeur	28. Vis	46. Vis M6 x 135
8. Tige d'arrêt	29. Pièce mobile	47. Orifice
9. Écrou de nylon	30. Réglage à la largeur d'ouverture minimale	48. Pièce fileté dans le support de moteur
10. Boulon de réglage	31. Réglage à la largeur d'ouverture maximale	49. Intérieur de l'orifice de la vis dans le socle de l'outil
11. Bouton de verrouillage	32. Guide de gabarit	50. Pièce fileté dans le support de moteur
12. Gâchette	33. Plaque de blocage	51. Tournevis
13. Cadran de réglage de la vitesse	34. Fraise	52. Repère d'usage
14. Lampe	35. Socle	53. Bouchon du porte-charbon
15. Blocage de l'arbre	36. Gabarit	
16. Clé	37. Distance (X)	
17. Pièce à travailler	38. Diamètre extérieur du guide de gabarit	
18. Sens de rotation de la fraise	39. Support du guide	
19. Vue du haut de l'outil		
20. Sens d'alimentation		
21. Guide de coupe rectiligne		

SPÉCIFICATIONS

Modèle	RP1800/ RP1800F	RP1801/ RP1801F	RP2300FC	RP2301FC
Capacité du mandrin à bague	12 mm ou 1/2"			
Capacité de plongée	0 à 70 mm			
Vitesse à vide (min ⁻¹)	22 000		9 000 - 22 000	
Longueur totale	312 mm			
Poids net	6 kg		6,1 kg	
Niveau de sécurité	☑/II			

- Étant donné l'évolution constante de notre programme de recherche et de développement, les spécifications contenues dans ce manuel sont sujettes à des modifications sans préavis.
- Remarque : les spécifications peuvent varier d'un pays à l'autre.
- Poids selon la procédure EPTA 01/2003

Utilisations

ENE010-1

L'outil est conçu pour l'affleurement et le profilage du bois, du plastique et autres matériaux similaires.

Alimentation

ENF002-1

L'outil ne doit être raccordé qu'à une alimentation de la même tension que celle qui figure sur la plaque signalétique, et il ne peut fonctionner que sur un courant secteur monophasé. Réalisé avec une double isolation, il est conforme à la réglementation européenne et peut de ce fait être alimenté sans mise à la terre.

CONSIGNES DE SÉCURITÉ SPÉCIFIQUES

GEB018-1

NE vous laissez PAS tromper (au fil d'une utilisation répétée) par un sentiment d'aisance et de familiarité avec le produit, en négligeant le respect rigoureux des consignes de sécurité qui accompagnent l'affleureuse. En utilisant cet outil dans des

conditions dangereuses ou incorrectes, vous vous exposez à un risque de blessure grave.

1. **Saisissez les outils électriques par leurs surfaces de poigne isolées lorsque vous effectuez une opération au cours de laquelle l'outil tranchant peut entrer en contact avec des fils cachés ou avec son propre cordon d'alimentation.** Le contact avec un fil sous tension mettra les parties métalliques exposées de l'outil sous tension, causant ainsi un choc électrique chez l'utilisateur.
2. **Utilisez des dispositifs de serrage ou un autre moyen pratique pour immobiliser et soutenir la pièce sur une surface stable.** La pièce sera instable et vous risquerez d'en perdre la maîtrise si vous la tenez avec une main ou l'appuyez simplement contre une partie du corps.
3. **Portez une protection d'oreilles lorsque vous utilisez l'outil sur une période prolongée.**
4. **Manipulez les fraises avec une grande prudence.**
5. **Avant de commencer votre travail, vérifiez soigneusement l'absence de fissures ou dommages sur la fraise. Remplacez**

immédiatement toute fraise fissurée ou endommagée.

6. **Prenez garde aux clous pendant la coupe. Avant de travailler votre pièce, inspectez-la et retirez-en tous les clous.**
7. **Tenez l'outil fermement à deux mains.**
8. **Gardez les mains éloignées des pièces en rotation.**
9. **Assurez-vous que la fraise n'entre pas en contact avec la pièce avant de mettre l'outil en marche.**
10. **Avant d'utiliser l'outil sur la pièce elle-même, laissez-le tourner un instant. Vérifiez l'absence de toute vibration ou sautellement, cela pouvant indiquer que la fraise est mal posée.**
11. **Tenez compte du sens de rotation de la fraise et du sens de déplacement de l'outil.**
12. **N'abandonnez pas l'outil alors qu'il tourne. Ne faites fonctionner l'outil qu'une fois que vous l'avez bien en main.**
13. **Avant de retirer l'outil de la pièce, coupez toujours le contact et attendez l'arrêt complet de la fraise.**
14. **Ne touchez pas la fraise immédiatement après l'opération ; elle risque d'être extrêmement chaude et de vous brûler la peau.**
15. **Prenez garde de ne pas tacher le socle de l'outil avec du diluant, de l'essence, de l'huile ou toute substance similaire. Elles peuvent causer des fissures sur le socle de l'outil.**
16. **Demeurez conscient de la nécessité d'utiliser des outils tranchants dont la queue a le diamètre approprié et qui sont conçus pour la vitesse de l'outil.**
17. **Certains matériaux contiennent des produits chimiques qui peuvent être toxiques. Prenez les précautions nécessaires pour ne pas inhaler les poussières qu'ils dégagent et pour éviter tout contact avec la peau. Conformez-vous aux consignes de sécurité du fabricant du matériau.**
18. **Utilisez toujours un masque anti-poussières ou un masque filtrant approprié au matériau à travailler et à l'outil utilisé.**

CONSERVEZ CES INSTRUCTIONS.

AVERTISSEMENT :
UNE MAUVAISE UTILISATION ou le fait de ne pas suivre les règles de sécurité exposées dans ce manuel d'instructions peut entraîner de graves blessures corporelles.

DESCRIPTION DU FONCTIONNEMENT

ATTENTION :

- Assurez-vous toujours que l'outil est éteint et débranché avant de le régler ou de vérifier son fonctionnement.

Réglage de la profondeur de coupe (Fig. 1)

Placez l'outil sur une surface plane. Relâchez le levier de verrouillage et abaissez le bâti jusqu'à ce que la fraise

entre en contact avec la surface plane. Serrez alors le levier de verrouillage pour verrouiller le bâti de l'outil. Tournez l'écrou de réglage de la tige d'arrêt dans le sens inverse des aiguilles d'une montre. Abaissez la tige d'arrêt jusqu'à ce qu'elle entre en contact avec le boulon de réglage. Alignez l'index de profondeur sur la graduation « 0 ». La profondeur de coupe est indiquée sur l'échelle par l'index de profondeur.

Tout en appuyant sur le bouton d'avance rapide, relevez la tige d'arrêt jusqu'à obtention de la profondeur de coupe souhaitée. Il est possible d'effectuer de petits réglages de profondeur en tournant le bouton de réglage (1 mm par tour).

En tournant l'écrou de réglage de la tige d'arrêt dans le sens inverse des aiguilles d'une montre, vous pouvez fixer fermement la tige d'arrêt.

Désormais, pour obtenir votre profondeur de coupe prédéterminée, il vous suffit de relâcher le levier de verrouillage puis d'abaisser le bâti de l'outil jusqu'à ce que la tige d'arrêt entre en contact avec le boulon hexagonal de réglage de la tige d'arrêt.

Écrou de nylon (Fig. 2)

La limite supérieure du bâti de l'outil peut être réglée en tournant l'écrou de nylon.

ATTENTION :

- N'abaissez pas trop l'écrou de nylon. La fraise fera dangereusement saillie.

Butoir (Fig. 3)

Le butoir présente trois boulons hexagonaux de réglage qui peuvent monter ou descendre de 0,8 mm par tour. Vous pouvez facilement obtenir trois différentes profondeurs de coupe sans modifier le réglage de la tige d'arrêt.

Ajustez le boulon inférieur à la plus grande profondeur de coupe désirée, en suivant la méthode de Réglage de la profondeur de coupe.

Réglez ensuite les deux autres boulons pour obtenir des profondeurs de coupe inférieures. Les différences de hauteur de ces boulons hexagonaux sont égales aux différences de profondeur de coupe.

Pour régler les boulons hexagonaux, tournez-les avec un tournevis ou une clé. Le butoir est également utile pour réaliser trois passes avec une profondeur progressivement supérieure de la fraise, lorsque vous pratiquez des rainures profondes.

ATTENTION :

- Comme une coupe excessive peut causer une surcharge du moteur ou rendre la maîtrise de l'outil difficile, la profondeur de coupe ne doit pas dépasser 15 mm par passe lorsque vous pratiquez des rainures en utilisant une fraise d'un diamètre de 8 mm.
- Lorsque vous pratiquez des rainures avec une fraise de 20 mm de diamètre, la profondeur de coupe ne doit pas être de plus de 5 mm par passe.
- Pour pratiquer des rainures plus profondes, faites deux ou trois passes avec des profondeurs progressivement supérieures.

Interrupteur (Fig. 4)

ATTENTION :

- Avant de brancher l'outil, vérifiez toujours que la gâchette fonctionne correctement et revient en position d'arrêt (« OFF ») lorsqu'elle est relâchée.
- Assurez-vous que le blocage de l'arbre est libéré avant de mettre le contact.

Pour éviter tout déclenchement accidentel de la gâchette, l'outil est muni d'un bouton de sécurité.

Pour démarrer l'outil, enfoncez le bouton de sécurité puis appuyez sur la gâchette. Pour l'arrêter, relâchez la gâchette.

Pour un fonctionnement continu, appuyez sur la gâchette puis enfoncez le bouton de verrouillage. Pour arrêter l'outil, appuyez sur la gâchette de sorte que le bouton de sécurité revienne automatiquement. Puis relâchez la gâchette.

Une fois cela fait, la fonction de sécurité fonctionne et vous empêche d'appuyer sur la gâchette.

ATTENTION :

- Tenez fermement l'outil lorsque vous l'éteignez, pour ne pas vous laisser surprendre par sa réaction.

Fonction électronique

Uniquement pour les modèles RP2300FC, RP2301FC

Contrôle de vitesse constante

- Possibilité d'obtenir une très bonne finition, parce que la vitesse de rotation reste constante même sous des conditions de charge.
- En plus, quand la charge sur l'outil excède les niveaux admissibles, la puissance au moteur est réduite pour protéger le moteur de la surchauffe. Lorsque la charge retourne aux niveaux admissibles, l'outil fonctionne normalement.

Fonction de démarrage graduel

- Le choc du démarrage est supprimé grâce au démarrage graduel.

Cadran de réglage de la vitesse

Uniquement pour les modèles RP2300FC, RP2301FC (Fig. 5)

Vous pouvez modifier la vitesse de l'outil en tournant le cadran de réglage de la vitesse selon un chiffre indiqué compris entre 1 et 6.

Si vous tournez le cadran en direction du 6, la vitesse sera plus élevée. Si vous tournez le cadran en direction du 1, la vitesse sera plus faible.

Cela vous permet de sélectionner une vitesse idéale pour traiter le matériau de façon optimale, c'est-à-dire que la vitesse peut être ajustée correctement pour correspondre au matériau et au diamètre de la fraise.

Reportez-vous au tableau pour connaître la vitesse de l'outil approximative associée aux numéros figurant sur le cadran.

Numéro	min ⁻¹
1	9 000
2	11 000
3	14 000
4	17 000
5	20 000
6	22 000

ATTENTION :

- Si l'outil est utilisé en continu à des vitesses lentes pendant longtemps, le moteur sera surchargé, ce qui entraînera un dysfonctionnement de l'outil.
- Vous ne pouvez tourner le cadran de réglage de la vitesse que jusqu'aux positions 6 et 1. Ne le forcez pas au-delà des positions 6 ou 1, au risque de provoquer un dysfonctionnement du réglage de la vitesse.

Allumage des lampes

Uniquement pour les modèles RP1800F, RP1801F, RP2300FC, RP2301FC (Fig. 6)

ATTENTION :

- Ne regardez pas directement la lumière ou la source lumineuse.

Appuyez sur la gâchette pour allumer la lampe. La lampe demeure allumée tant que la pression sur la gâchette est maintenue.

La lampe s'éteint 10 à 15 secondes après la libération de la gâchette.

REMARQUE :

- Utilisez un chiffon sec pour nettoyer les lentilles de la lampe. Faites attention à ne pas les rayer, ou l'éclairage peut en pâtir.

ASSEMBLAGE

ATTENTION :

- Avant d'effectuer toute intervention sur l'outil, assurez-vous toujours qu'il est éteint et débranché.

Installation ou retrait de la fraise (Fig. 7)

ATTENTION :

- Fixez fermement la fraise. Utilisez exclusivement la clé fournie avec l'outil. Une fraise lâche ou trop serrée peut être dangereuse.
- Utilisez toujours un mandrin adapté au diamètre de la queue de la fraise.
- Ne serrez pas l'écrou de mandrin sans y avoir inséré une fraise et n'installez pas de fraise à petite queue sans utiliser de manchon de mandrin ; vous risqueriez de briser le mandrin.
- N'utilisez que des fraises dont la vitesse maximale, indiquée sur la fraise, ne dépasse pas la vitesse maximale de la défonceuse.

Insérez complètement la fraise dans le mandrin. Appuyez sur le blocage de l'arbre pour garder l'arbre stable et utilisez la clé pour bien serrer l'écrou de mandrin. Lorsque vous utilisez des fraises dont le diamètre de queue est inférieur, commencez par insérer le bon manchon dans le mandrin, avant d'installer la fraise comme décrit ci-dessus.

Pour retirer la fraise, suivez la procédure d'installation en sens inverse.

UTILISATION

ATTENTION :

- Avant le fonctionnement, assurez-vous que le bâti de l'outil se relève toujours à la limite supérieure et que la fraise ne fait pas saillie du socle de l'outil lorsque le levier de verrouillage est desserré.
- Avant le fonctionnement, assurez-vous que le déflecteur à copeaux est bien installé. (Fig. 8)

Utilisez toujours les deux poignées pour tenir fermement l'outil lorsqu'il fonctionne.

Placez le socle de l'outil sur la pièce de sorte que la fraise n'entre pas en contact avec quoi que ce soit. Mettez ensuite l'outil sous tension et attendez que la fraise ait atteint sa pleine vitesse. Abaissez le bâti de l'outil et avancez l'outil vers la surface de la pièce, en gardant le socle de l'outil parfaitement appuyé et en avançant régulièrement jusqu'à ce que la coupe soit finie. Lorsque vous coupez les arêtes, la surface de la pièce doit se trouver à gauche de la fraise dans le sens de déplacement de la fraise. (Fig. 9)

REMARQUE :

- Si vous avancez l'outil trop vite, la qualité de la coupe peut en pâtir, ou la fraise ou le moteur peuvent être endommagés. Si vous avancez l'outil trop lentement, la coupe peut brûler ou porter des marques. La bonne vitesse d'avance dépendra de la taille de la fraise, du type de pièce et de la profondeur de coupe. Avant de commencer à couper la pièce, il est conseillé d'effectuer un essai sur un petit morceau de bois. Cela vous permettra de voir le résultat final de la coupe, et de vérifier les dimensions.
- Lorsque vous utilisez le guide de coupe rectiligne ou le guide d'affleurage, assurez-vous de l'installer à droite dans le sens de déplacement de la fraise. Cela vous aidera à le garder parfaitement appuyé au côté de la pièce. (Fig. 10)

Guide de coupe rectiligne (Fig. 11)

Le guide droit est très efficace lorsqu'il est utilisé pour les coupes droites lors du chanfreinage ou du rainurage.

Installez-le sur le support du guide à l'aide de la vis de serrage (B). Insérez le support du guide dans les orifices du bâti de l'outil et serrez la vis de serrage (A).

Pour régler la distance entre la fraise et le guide de coupe rectiligne, desserrez la vis de serrage (B) et tournez la vis de réglage fin (1,5 mm par tour). Une fois la distance souhaitée atteinte, serrez la vis de serrage (B) pour immobiliser le guide de coupe rectiligne. (Fig. 12)

Pour obtenir un guide de coupe rectiligne plus large, aux dimensions souhaitées, vous devez utiliser les orifices du guide pour boulonner des pièces de bois supplémentaires. (Fig. 13)

Lorsque vous utilisez une fraise de gros diamètre, fixez des morceaux de bois au guide de coupe rectiligne. Ces morceaux de bois doivent être épais d'au moins 15 mm pour empêcher la fraise de taper contre le guide de coupe rectiligne.

Lorsque vous coupez, déplacez l'outil en gardant le guide de coupe rectiligne parfaitement appuyé contre le côté de la pièce.

Si la distance entre le côté de la pièce et la position de coupe est trop large pour le guide de coupe rectiligne, ou si le côté de la pièce n'est pas droit, le guide de coupe rectiligne ne peut pas être utilisé. Dans ce cas, serrez une planche droite contre la pièce et utilisez-la comme guide contre la base de l'affleureuse. Déplacez l'outil dans le sens de la flèche. (Fig. 14)

Réglage fin du guide de coupe rectiligne (accessoire) (Fig. 15)

Lorsque la défonceuse est montée

Insérez les deux tiges (Tige 10) dans les rainures de montage extérieures du support du guide, et fixez-les en serrant les deux vis de serrage (M15 x 14 mm). Assurez-vous que l'écrou à oreilles (M6 x 50 mm) est bien serré, faites glisser l'unité de montage du socle de la défonceuse sur les deux tiges (Tige 10), puis serrez les vis de serrage du socle.

Fonction de réglage fin du placement de la lame par rapport au guide de coupe rectiligne (Fig. 16)

1. Desserrez l'écrou à oreilles (M6 x 50 mm).
2. L'écrou à oreilles (M10 x 52 mm) peut être pivoté pour ajuster la position (un tour ajuste la position de 1 mm).
3. Une fois l'ajustement de la position effectué, serrez complètement l'écrou à oreilles (M6 x 50 mm).

La bague graduée peut être pivotée séparément, de sorte que la graduation puisse être alignée sur zéro (0).

Modification de la largeur du coulisseau

Desserrez les vis repérées par des cercles pour modifier la largeur du coulisseau vers la gauche et vers la droite. Une fois la largeur modifiée, serrez les vis complètement. La plage de modification de la largeur du coulisseau (d) est de 280 à 350 mm. (Fig. 17 - 19)

Guide de gabarit (accessoire) (Fig. 20)

Le guide de gabarit fournit un manchon dans lequel passe la fraise, ce qui permet l'utilisation de l'outil avec des patrons.

Pour l'installer, tirez le levier de verrouillage et insérez le guide de gabarit. (Fig. 21)

Fixez le gabarit à la pièce. Placez l'outil sur le gabarit et déplacez l'outil en faisant glisser le guide de gabarit le long du gabarit. (Fig. 22)

REMARQUE :

- La pièce sera coupée à une taille légèrement différente du gabarit. Laissez la distance (X) entre la fraise et l'extérieur du guide de gabarit. La distance (X) peut être calculée à l'aide de l'équation suivante :
Distance (X) = (diamètre extérieur du gabarit - diamètre de la fraise) / 2

Guide d'affleurage (accessoire en option) (Fig. 23)

L'affleurage, les coupes courbes pour placages des meubles et autres activités similaires peuvent facilement être exécutés avec le guide d'affleurage. Le galet du guide roule sur la courbe et assure une coupe fine.

Installez-le sur le support du guide à l'aide de la vis de serrage (B). Insérez le support du guide dans les orifices du bâti de l'outil et serrez la vis de serrage (A). Pour régler la distance entre la fraise et le guide d'affleurage, desserrez la vis de serrage (B) et tournez la vis de réglage fin (1,5 mm par tour). Pour remonter ou descendre le galet du guide, desserrez la vis de serrage (C).

Une fois le réglage effectué, serrez complètement les vis de serrage. (Fig. 24)

Lorsque vous coupez, déplacez l'outil en vous assurant que le galet du guide roule contre le côté de la pièce. (Fig. 25)

Ensemble du raccord à poussières (accessoire) (Fig. 26)

Utilisez le raccord à poussières pour retirer la poussière. Installez le raccord à poussières sur le socle de l'outil, à l'aide de la vis à oreilles de sorte que la protubérance du raccord à poussières s'insère dans l'encoche du socle de l'outil.

Ensuite, raccordez un aspirateur au raccord à poussières. (Fig. 27)

Utilisation de la vis M6 x 135 pour régler la profondeur de coupe

Lorsque l'outil est utilisé avec une table de défonceuse disponible sur le marché, l'utilisation de cette vis donne à l'opérateur la possibilité d'effectuer un léger réglage de profondeur de coupe depuis le dessus de la table. (Fig. 28)

1. Installation de la vis et de la rondelle sur l'outil

- Fixez la rondelle plate à la vis.
- Insérez cette vis en la faisant passer par un orifice de vis dans le socle de l'outil puis vissez la pièce fileté au support du moteur de l'outil. (Fig. 29 à 31)

Lubrifiez alors l'intérieur de l'orifice de la vis dans le socle de l'outil, ainsi que la pièce fileté dans le support du moteur. (Fig. 32 et 33)

2. Réglage de la profondeur de coupe

- Une petite profondeur de coupe peut être obtenue en faisant tourner cette vis à l'aide d'un tournevis, depuis le dessus de la table. (1 mm par tour complet)
- Si vous faites tourner la vis dans le sens des aiguilles d'une montre, la profondeur de coupe sera plus importante, et elle sera moins importante dans le sens inverse des aiguilles d'une montre. (Fig. 34)

MAINTENANCE

ATTENTION :

- Assurez-vous toujours que l'outil est hors tension et débranché avant d'effectuer tout travail d'inspection ou d'entretien.

Remplacement des charbons (Fig. 35)

Retirez et vérifiez les charbons régulièrement. Remplacez-les lorsqu'ils atteignent le repère d'usure. Gardez les charbons propres et libres de glisser dans les porte-charbons. Les deux charbons doivent être remplacés en même temps. Utilisez uniquement des charbons identiques.

Retirez les bouchons de porte-charbon à l'aide d'un tournevis.

Enlevez les charbons usés, insérez les neufs et remettez en place les bouchons de porte-charbon. (Fig. 36) Après avoir remplacé les brosses, branchez l'outil et séparez les brosses en faisant tourner l'outil sans aucune charge pendant environ 10 minutes. Ensuite vérifiez l'outil en cours d'exécution et le fonctionnement du frein électrique lors de la relâche de la gâchette. Si le frein électrique ne fonctionne pas bien, demandez à votre centre d'entretien local Makita de le réparer. Pour assurer la SÉCURITÉ et la FIABILITÉ du produit, toute réparation ou travail d'entretien ou de réglage doivent être effectués dans un Centre de service après-vente Makita agréé, avec des pièces de rechange Makita.

ACCESSOIRES

ATTENTION :

- Ces accessoires ou pièces complémentaires sont recommandés pour l'utilisation avec l'outil Makita spécifié dans ce manuel. L'utilisation de tout autre accessoire ou pièce complémentaire comporte un risque de blessures. Utilisez uniquement l'accessoire ou la pièce complémentaire dans le but spécifié.

Pour obtenir plus de détails sur ces accessoires, contactez un Centre de service après-vente local Makita.

- Fraises pour coupes rectilignes et rainures
- Fraises pour rebord
- Fraises pour affleurage de stratifié
- Guide de coupe rectiligne
- Guide d'affleurage
- Support du guide
- Guides de gabarit
- Adaptateur de guide de gabarit
- Contre-écrou
- Mandrin 12 mm
- Manchon de mandrin 6 mm, 8 mm, 10 mm
- Manchon de mandrin 3/8", 1/4"
- Clé 24
- Tête d'aspiration

Fraises de défonceuse

Fraise à rainer (Fig. 37)

mm

D	A	L 1	L 2
6	20	50	15
1/4			
12	12	60	30
1/2			
12	10	60	25
1/2			
8	8	60	25
6	8	50	18
1/4			
6	6	50	18
1/4"			

Fraise à rainurer en « U » (Fig. 38)

mm

D	A	L 1	L 2	R
6	6	50	18	3

Fraise à rainurer en « V » (Fig. 39)

mm

D	A	L 1	L 2	θ
1/4"	20	50	15	90°

Fraise à affleurer (Fig. 40)

mm

D	A	L 1	L 2	L 3
12	12	60	20	35
8	8	60	20	35
6	6	60	18	28

Fraise à affleurer combinaison double (Fig. 41)

mm

D	A	L 1	L 2	L 3	L 4
6	6	70	40	12	14

Fraise à joint de planches (Fig. 42)

mm

D	A 1	A 2	L 1	L 2	L 3
12	38	27	61	4	20

Fraise 1/4 de rond (Fig. 43)

mm

D	A 1	A 2	L 1	L 2	L 3	R
6	25	9	48	13	5	8
6	20	8	45	10	4	4

Fraise à chanfreiner (Fig. 44)

mm

D	A	L 1	L 2	L 3	θ
6	23	46	11	6	30°
6	20	50	13	5	45°
6	20	49	14	2	60°

Fraise à profiler concave (Fig. 45)

mm

D	A	L 1	L 2	R
6	20	43	8	4
6	25	48	13	8

Fraise à affleurer avec roulement (Fig. 46)

mm

D	A	L 1	L 2
6	10	50	20
1/4"			

Fraise à arrondir avec roulement (Fig. 47)

mm

D	A 1	A 2	L 1	L 2	L 3	R
6	15	8	37	7	3,5	3
6	21	8	40	10	3,5	6
1/4"	21	8	40	10	3,5	6

Fraise à chanfreiner avec roulement (Fig. 48)

mm

D	A 1	A 2	L 1	L 2	θ
6	26	8	42	12	45°
1/4"					60°
6	20	8	41	11	60°

Fraise à profiler avec roulement (Fig. 49)

mm

D	A 1	A 2	A 3	L 1	L 2	L 3	R
6	20	12	8	40	10	5,5	4
6	26	12	8	42	12	4,5	7

Fraise à profiler pour cavet avec roulement (Fig. 50)

mm

D	A 1	A 2	A 3	A 4	L 1	L 2	L 3	R
6	20	18	12	8	40	10	5,5	3
6	26	22	12	8	42	12	5	5

Fraise à profiler pour doucine avec roulement (Fig. 51)

mm

D	A 1	A 2	L 1	L 2	L 3	R1	R2
6	20	8	40	10	4,5	2,5	4,5
6	26	8	42	12	4,5	3	6

Pour les modèles RP1800, RP1800F, RP1801**Pour les pays européens uniquement****Bruit**

ENG102-1

Les niveaux de bruit pondéré A typiques ont été mesurés selon la norme EN60745-2-17 :

Niveau de pression sonore (L_{pA}) : 86 dB (A)

Niveau de puissance sonore (L_{WA}) : 97 dB (A)

Incertitude (K) : 3 dB (A)

Portez des protections auditives**Vibrations**

NEG223-1

La valeur totale de vibration (somme du vecteur triaxial) déterminée selon EN60745-2-17 :

Mode de fonctionnement : coupe de rainures sur un panneau de fibres à densité moyenne

Émission de vibrations (a_h) : 4 m/s²

Incertitude (K) : 1,5 m/s²

Uniquement pour les modèles RP2300FC, RP2301FC**Pour les pays européens uniquement****Bruit**

ENG102-1

Les niveaux de bruit pondéré A typiques ont été mesurés selon la norme EN60745-2-17 :

Niveau de pression sonore (L_{pA}) : 87 dB (A)

Niveau de puissance sonore (L_{WA}) : 98 dB (A)

Incertitude (K) : 3 dB (A)

Portez des protections auditives

Vibrations ENG223-1

La valeur totale de vibration (somme du vecteur triaxial)
déterminée selon EN60745-2-17 :

Mode de fonctionnement : coupe de rainures sur un
panneau de fibres à densité moyenne

Émission de vibrations (a_h) : 4,5 m/s²

Incertitude (K) : 1,5 m/s²

DÉCLARATION DE CONFORMITÉ CE ENH101-9

Modèles ;

RP1800, RP1800F, RP1801, RP2300FC, RP2301FC

Nous déclarons, sous notre entière responsabilité, que ce
produit répond aux normes suivantes de documents
normalisés :

EN60745, EN55014, EN61000 conformément aux

Directives du Conseil, 2004/108/CE, 98/37/CE.

CE2008



Tomoyasu Kato
Directeur

Fabricant responsable :

Makita Corporation

3-11-8, Sumiyoshi-cho, Anjo, Aichi, JAPON

Représentant agréé en Europe :

Makita International Europe Ltd.

Michigan Drive, Tongwell, Milton Keynes, Bucks MK15
8JD, ANGLETERRE

DEUTSCH

Erklärung der Gesamtdarstellung

- | | | |
|--|---|---|
| 1. Einstellknopf | 20. Vorschubrichtung | 38. Außendurchmesser der Schablonenführung |
| 2. Verriegelungshebel | 21. Führungsschiene | 39. Führungshalter |
| 3. Anschlagstangen-Einstellmutter | 22. Feineinstellschraube | 40. Klemmschraube (C) |
| 4. Schnellvorschubtaste | 23. Klemmschraube (B) | 41. Zuschneidführung |
| 5. Einstellschraube | 24. Klemmschraube (A) | 42. Führungsrolle |
| 6. Anschlagblock | 25. Führungshalter | 43. Absaugstutzen |
| 7. Tiefenzeiger | 26. Mehr als 15 mm | 44. Klemmschraube |
| 8. Anschlagstange | 27. Holz | 45. Unterlegscheibe 6 |
| 9. Nylonmutter | 28. Schrauben | 46. Schraube M6 x 135 |
| 10. Einstellschraube | 29. Beweglich | 47. Loch |
| 11. Arretiertaste | 30. Bei Einstellung auf minimale Öffnungsbreite | 48. Gewindestück im Motorträger |
| 12. Ein/Aus-Schalter | 31. Bei Einstellung auf maximale Öffnungsbreite | 49. Innenseite des Schraubenlochs im Werkzeuggleitschuh |
| 13. Drehzahl-Stellrad | 32. Schablonenführung | 50. Gewindestück im Motorträger |
| 14. Lampe | 33. Sicherungsscheibe | 51. Schraubendreher |
| 15. Spindelarretierung | 34. Einsatz | 52. Verschleißmarkierung |
| 16. Schraubenschlüssel | 35. Grundplatte | 53. Bürstenhalterkappe |
| 17. Werkstück | 36. Schablone | |
| 18. Einsatz-Drehrichtung | 37. Abstand (X) | |
| 19. Ansicht von oben auf das Werkzeug. | | |

TECHNISCHE DATEN

Modell	RP1800/ RP1800F	RP1801/ RP1801F	RP2300FC	RP2301FC
Spannzangenfutterweite	12 mm oder 1/2"			
Tauchkapazität	0 bis 70 mm			
Leerlaufdrehzahl (min ⁻¹)	22.000		9.000 - 22.000	
Gesamtlänge	312 mm			
Nettogewicht	6,0 kg		6,1 kg	
Sicherheitsklasse	□/II			

- Aufgrund unserer weiterführenden Forschungen und Entwicklungen sind Änderungen an den hier angegebenen Technischen Daten ohne Vorankündigung vorbehalten.
- Hinweis: Die Technischen Daten können in den einzelnen Ländern abweichen.
- Gewicht entsprechend der EPTA-Vorgehensweise 01/2003

Verwendungszweck ENE010-1

Das Werkzeug wurde für das Abkanten und Profilieren von Holz, Kunststoff und ähnlichen Materialien entwickelt.

Stromversorgung ENF002-1

Das Werkzeug darf nur an eine Stromversorgung mit der auf dem Typenschild angegebenen Spannung und einphasigem Wechselstrom angeschlossen werden.

Aufgrund der Doppelsolierung nach europäischem Standard kann das Werkzeug auch an Steckdosen ohne Erdungsleiter betrieben werden.

BESONDERE SICHERHEITSREGELN GEB014-1

Lassen Sie sich **NIE** durch Bequemlichkeit oder (aus fortwährendem Gebrauch gewonnener) Vertrautheit mit dem Gerät dazu verleiten, die Sicherheitsregeln für die Oberfräse zu missachten. Wenn dieses Werkzeug fahrlässig oder nicht ordnungsgemäß verwendet wird, kann es zu schweren Verletzungen kommen.

1. **Halten Sie das Elektrowerkzeug an den isolierten Griffflächen, wenn Sie unter Bedingungen arbeiten, bei denen das Schneidwerkzeug verborgene Verkabelung oder das eigene Kabel berühren kann.** Der Kontakt mit einem Strom führenden Kabel leitet diesen an die metallenen Teile des Werkzeugs weiter und verursacht einen Stromschlag beim Bediener.
2. **Verwenden Sie Klammern oder andere geeignete Geräte, um das Werkstück an einer stabilen Unterlage zu sichern.** Wenn Sie das Werkstück von Hand halten oder gegen Ihren Körper pressen, kann dies zu Unstabilität und Kontrollverlust führen.
3. **Tragen Sie bei längerem Arbeiten mit der Fräse einen Gehörschutz.**
4. **Behandeln Sie den Fräser sorgfältig.**
5. **Überprüfen Sie den Fräser vor Gebrauch sorgfältig auf Risse oder Beschädigung. Wechseln Sie einen gerissenen oder beschädigten Fräser unverzüglich aus.**
6. **Vermeiden Sie es, in Nägel zu zertrennen. Untersuchen Sie das Werkstück auf Nägel, und entfernen Sie diese ggf. vor Arbeitsbeginn.**

7. Halten Sie das Werkzeug mit beiden Händen fest.
8. Halten Sie Ihre Hände von beweglichen Teilen fern.
9. Achten Sie darauf, dass der Fräser das Werkstück nicht berührt, bevor das Werkzeug eingeschaltet wurde.
10. Bevor Sie das Werkzeug auf das zu bearbeitende Werkstück aufsetzen, lassen Sie es einige Zeit ohne Last laufen. Wenn Sie ein Vibrieren oder einen unruhigen Lauf feststellen, prüfen Sie, ob der Fräser sachgemäß eingesetzt wurde.
11. Achten Sie auf die Fräserdrehrichtung und die Vorschubrichtung.
12. Lassen Sie das Werkzeug nicht unbeaufsichtigt eingeschaltet. Das Werkzeug darf nur dann eingeschaltet sein, wenn es festgehalten wird.
13. Schalten Sie das Werkzeug immer aus und warten Sie auf den völligen Stillstand des Fräasers, bevor Sie diesen aus dem Werkstück herausziehen.
14. Berühren Sie kurz nach dem Betrieb den Einsatz nicht, dieser könnte extrem heiß sein und zu Verbrennungen führen.
15. Der Gleitschuh darf nicht mit Verdünner, Benzin, Öl oder ähnlichem in Berührung kommen. Dies kann zu Bruchstellen im Gleitschuh führen.
16. Achten Sie darauf, Fräser zu verwenden, die den passenden Schaftdurchmesser besitzen und für die Drehzahl des Werkzeugs geeignet sind.
17. In einigen Materialien sind möglicherweise giftige Chemikalien enthalten. Vermeiden Sie das Einatmen von Staub und den Hautkontakt mit diesen Materialien. Befolgen Sie die Sicherheitshinweise des Materialherstellers.
18. Verwenden Sie bei der Arbeit stets eine für das Material geeignete Staubmaske bzw. ein Atemgerät.

BEWAHREN SIE DIESE ANLEITUNG SORGFÄLTIG AUF.

WARNUNG:

MISBRAUCH oder Nichtbeachtung der Sicherheitsregeln in der vorliegenden Bedienungsanleitung kann zu schweren Verletzungen führen.

FUNKTIONSBESCHREIBUNG

VORSICHT:

- Schalten Sie das Werkzeug stets aus und ziehen Sie den Stecker, bevor Sie Einstellungen oder eine Funktionsprüfung am Werkzeug vornehmen.

Einstellen der Schnitttiefe (Abb. 1)

Legen Sie das Werkzeug auf eine flache Oberfläche. Lösen Sie die Arretierung und senken Sie den Werkzeugkörper, bis der Einsatz die Oberfläche berührt. Ziehen Sie die Arretierung an, um den Werkzeugkörper zu verriegeln.

Drehen Sie die Einstellmutter der Anschlagstange gegen den Uhrzeigersinn. Senken Sie die Anschlagstange, bis sie die Einstellschraube berührt. Richten Sie den Tiefenzeiger auf die Einteilung "0" aus. Die Schnitttiefe wird durch den Tiefenzeiger auf der Skala angezeigt.

Heben Sie die Anschlagstange, bis die gewünschte Schnitttiefe erreicht wird, während Sie die Schnellvorschubtaste drücken. Exakte Tiefeneinstellungen lassen sich durch Drehen des Einstellknauhs erreichen (1 mm pro Umdrehung). Durch Drehen der Einstellmutter der Anschlagstange im Uhrzeigersinn können Sie die Anschlagstange sichern. Die voreingestellte Schnitttiefe kann nun durch Lösen der Arretierung und Absenken des Werkzeugkörpers, bis die Anschlagstange die Einstell-Sechskantschraube berührt, erreicht werden.

Nylonmutter (Abb. 2)

Durch Drehen der Nylonmutter kann die Obergrenze des Werkzeugkörpers eingestellt werden.

VORSICHT:

- Senken Sie die Nylonmutter nicht zu weit ab. Der Einsatz steht dann gefährlich hervor.

Anschlagblock (Abb. 3)

Der Anschlagblock hat drei Einstell-Sechskantschrauben, die pro Umdrehung um 0,8 mm gehoben oder gesenkt werden. Durch Einstellen dieser Einstell-Sechskantschrauben erhalten Sie ganz einfach drei verschiedene Schnitttiefen, ohne die Anschlagstange zu verstellen.

Stellen Sie die untere Einstell-Sechskantschraube auf die tiefste Schnitttiefe ein, wie in "Einstellen der Schnitttiefe" beschrieben.

Stellen Sie die anderen Einstell-Sechskantschrauben auf geringere Schnitttiefen ein. Die Höhendifferenzen dieser Sechskantschrauben entsprechen den Differenzen in den Schnitttiefen.

Zum Einstellen der Sechskantschrauben drehen Sie diese mit einem Schraubendreher oder Schraubenschlüssel. Der Anschlagblock ist auch praktisch, wenn Sie beim Schneiden von tiefen Nuten drei Durchgänge mit immer tieferer Einsatzeinstellung vornehmen.

VORSICHT:

- Da ausgiebiges Schneiden den Motor überlasten und zu Schwierigkeiten bei der Werkzeugsteuerung führen kann, sollte die Schnitttiefe für Nute mit einem Einsatz mit 8 mm Durchmesser bei jedem Durchgang nicht mehr als 15 mm betragen.
- Beim Schneiden von Nuten mit einem 20 mm breiten Einsatz sollte die Schnitttiefe bei jedem Durchgang nicht mehr als 5 mm betragen.
- Wenn Sie besonders tiefe Nute schneiden möchten, schneiden Sie in zwei oder drei Durchgängen mit immer tieferer Einsatzeinstellung.

Bedienung des Schalters (Abb. 4)

VORSICHT:

- Achten Sie vor dem Einstecken des Netzsteckers des Werkzeugs in die Steckdose darauf, dass sich der Ein/Aus-Schalter korrekt bedienen lässt und beim Loslassen in die Position „OFF“ (AUS) zurückkehrt.
- Vergewissern Sie sich, dass die Spindelarretierung gelöst ist, bevor Sie das Gerät einschalten.

Damit die Auslöseschaltung nicht versehentlich gezogen wird, befindet sich am Werkzeug eine Verriegelungstaste.

Um das Werkzeug zu starten, drücken Sie zuerst den Arretierknopf und betätigen Sie dann den Ein-/Aus-Schalter. Lassen Sie zum Ausschalten des Werkzeugs den Ein/Aus-Schalter los.

Betätigen Sie für einen Dauerbetrieb den Ein/Aus-Schalter und drücken Sie dann die Arretiertaste weiter hinein. Zum Stoppen des Werkzeugs ziehen Sie den Auslöseschalter, so dass die Arretiertaste automatisch zurückspringt. Lassen Sie dann den Auslöseschalter los. Nach Loslassen des Auslöseschalters verhindert die Arretierfunktion, dass der Auslöseschalter versehentlich gezogen wird.

VORSICHT:

- Halten Sie das Werkzeug beim Ausschalten mit festem Griff, um dessen Reaktion entgegenzuwirken.

Elektronische Funktion

Nur für Modell RP2300FC, RP2301FC

Regelung einer konstanten Drehzahl

- Auch bei Belastung wird durch eine konstant gehaltene Drehzahl eine saubere Schnittfläche erreicht.
- Wenn die Last auf dem Werkzeug den erlaubten Pegel überschreitet, wird außerdem die Stromzufuhr an den Motor gedrosselt, um den Motor vor Überhitzung zu schützen. Wenn die Last wieder auf den erlaubten Pegel absinkt, wird das Werkzeug normal betrieben.

Soft-Start-Funktion

- Weiches Anlaufen auf Grund eines unterdrückten Anlaufrückens.

Drehzahl-Stellrad

Nur für Modell RP2300FC, RP2301FC (Abb. 5)

Die Drehzahl kann durch Drehen des Drehzahl-Stellrads auf eine der vorgegebenen Stellungen 1 bis 6 geändert werden.

Sie erhöhen die Drehzahl, wenn Sie das Rad in Richtung der Zahl 6 drehen. Sie verringern die Drehzahl, wenn Sie das Rad in Richtung der Zahl 1 drehen.

Dies ermöglicht es, die optimale Drehzahl für die jeweilige Materialverarbeitung einzustellen, d.h. die Drehzahl kann an das Material und den Einsatzdurchmesser korrekt angepasst werden.

In der folgenden Tabelle finden Sie die Angaben, welche Zahl am Stellrad welcher Drehzahl entspricht.

Nummer	min ⁻¹
1	9.000
2	11.000
3	14.000
4	17.000
5	20.000
6	22.000

VORSICHT:

- Wenn das Werkzeug längere Zeit dauerhaft bei niedriger Drehzahl betrieben wird, wird der Motor überlastet, was zu einer Fehlfunktion des Werkzeugs führen kann.

- Das Drehzahl-Stellrad lässt sich nur bis 6 und zurück auf 1 drehen. Wird es gewaltsam über 6 oder 1 hinaus gedreht, lässt sich die Drehzahl möglicherweise nicht mehr einstellen.

Einschalten der Lampen

Nur für Modell RP1800F, RP1801F, RP2300FC, RP2301FC (Abb. 6)

VORSICHT:

- Schauen Sie nicht direkt in das Licht oder in die Lichtquelle.

Ziehen Sie zum Einschalten der Lampe den Ein/Aus-Schalter. Solange Sie den Ein/Aus-Schalter gezogen halten, leuchtet die Lampe.

Nach dem Loslassen des Ein/Aus-Schalters erlischt die Lampe nach 10 bis 15 Sekunden.

HINWEIS:

- Wischen Sie Schmutz auf der Lampenlinse mit einem trockenen Tuch ab. Achten Sie darauf, die Lampenlinse nicht zu zerkratzen, da dies die Beleuchtungsstärke mindern kann.

MONTAGE

VORSICHT:

- Schalten Sie das Werkzeug stets aus und ziehen Sie den Netzstecker, bevor Sie irgendwelche Arbeiten am Werkzeug durchführen.

Montage und Demontage des Einsatzes (Abb. 7)

VORSICHT:

- Bringen Sie den Einsatz sicher an. Verwenden Sie ausschließlich den mit dem Werkzeug gelieferten Schraubenschlüssel. Ein locker sitzender oder überdrehter Einsatz kann gefährlich sein.
- Verwenden Sie stets eine Spannzange, die für den Schaftdurchmesser des Einsatzes geeignet ist.
- Ziehen Sie die Spannzangenmutter nicht ohne eingesetzten Einsatz an und bringen Sie keine kleinen Aufnahmeschäfte ohne Spannzangenkranz an. Beides kann den Spankegel beschädigen.
- Verwenden Sie nur Fräseinsätze, deren Maximaldrehzahl, wie auf dem Einsatz angegeben, nicht die Maximaldrehzahl der Oberfräse überschreitet.

Montieren Sie den Einsatz komplett im Spankegel.

Blockieren Sie die Spindel durch Drücken der Spindelarretierung, und ziehen Sie die Spannzangenmutter mit dem Schlüssel fest an. Bei Verwendung von Oberfräseneinsätzen mit kleinerem Schaftdurchmesser müssen Sie zuerst den entsprechenden Spannzangenkranz und erst anschließend den Einsatz, wie oben beschrieben, einsetzen.

Zum Entnehmen des Einsatzes befolgen Sie die Vorgehensweise zum Einbauen in umgekehrter Reihenfolge.

BETRIEB

VORSICHT:

• Vergewissern Sie sich vor dem Betrieb immer, dass der Werkzeugkörper sich automatisch zur oberen Begrenzung anhebt und dass der Einsatz nicht über den Werkzeuggleitschuh hervorsteht, wenn der Entsperrungshebel gelöst wird.

• Stellen Sie vor dem Betrieb sicher, dass das Splitterblech richtig angebracht ist. **(Abb. 8)**

Verwenden Sie immer beide Griffe und halten Sie das Werkzeug bei Benutzung an beiden Griffen fest. Setzen Sie den Gleitschuh auf das zu schneidende Werkstück auf, ohne dass der Einsatz mit ihm in Berührung kommt. Schalten Sie anschließend das Werkzeug ein und warten Sie, bis der Einsatz die volle Drehzahl erreicht hat. Senken Sie den Werkzeugkörper, und schieben Sie das Werkzeug flach und gleichmäßig über die Oberfläche des Werkstücks vor, bis der Schnitt vollendet ist.

Beim Schneiden von Kanten sollte die Werkstoffoberfläche sich in Vorschubrichtung links vom Einsatz befinden. **(Abb. 9)**

HINWEIS:

• Wenn Sie das Werkzeug zu schnell vorschieben, wird der Schnitt mangelhaft, oder Einsatz und Motor werden beschädigt. Wenn Sie das Werkzeug zu langsam vorschieben, kann der Schnitt verbrennen oder beschädigt werden. Die richtige Vorschubgeschwindigkeit hängt von der Größe des Einsatzes, der Art des Werkstücks und der Schnitttiefe ab. Bevor Sie den Schnitt am Werkstück ausführen, ist es ratsam, einen Probeschnitt an einem Abfallstück zu machen. So erkennen Sie genau, wie der Schnitt aussehen wird, und Sie können die Abmessungen überprüfen.

• Wenn Sie die Führungsschiene oder Zuschneidführung verwenden, bringen Sie sie in Vorschubrichtung auf der rechten Seite an. Dies hält sie eng an der Seite des Werkstücks. **(Abb. 10)**

Führungsschiene (Abb. 11)

Die Führungsschiene wird effektiv beim Anfasen oder Nuten für Geradschnitte verwendet.

Bringen Sie die Führungsschiene mit der Klemmschraube (B) am Führungshalter an. Führen Sie den Führungshalter in die Löcher im Werkzeuggleitschuh ein, und ziehen Sie die Klemmschraube (A) an. Um den Abstand zwischen Einsatz und Führungsschiene einzustellen, lösen Sie die Klemmschraube (B) und verstellen die Feineinstellschraube (1,5 mm pro Umdrehung). Ziehen Sie am gewünschten Abstand die Klemmschraube (B) zur Sicherung der Führungsschiene an. **(Abb. 12)**

Sie können die Führungsschiene wie gewünscht verlängern, indem Sie ganz einfach in die Löcher an der Schiene Holzleisten anschrauben. **(Abb. 13)**

Bei Verwendung eines Einsatzes mit großem Durchmesser bringen Sie Holzleisten an der Führungsschiene an, die eine Stärke von mehr als 15 mm haben, damit der Einsatz nicht die Führungsschiene durchschlägt.

Achten Sie beim Schneiden darauf, dass die Führungsschiene eng an der Seitenkante des Werkstücks anliegt.

Wenn der Abstand zwischen der Seite des Werkstücks und der Schneideposition zu breit für die Führungsschiene ist, oder wenn die Seite des Werkstücks nicht gerade ist, kann die Führungsschiene nicht verwendet werden. In diesem Fall bringen Sie ein gerades Stück Pappe am Werkstück an und verwenden dieses als Führung für den Kantenfräseschuh. Schieben Sie das Werkzeug in Pfeilrichtung vor. **(Abb. 14)**

Führungsschiene für die Feineinstellung (Zubehör) (Abb. 15)

Bei montierter Oberfräse

Setzen Sie die zwei Stäbe (Stab 10) in die äußeren Montageschlitze des Führungshalters ein, und sichern Sie diese durch Festziehen der zwei Klemmschrauben (M15 x 14 mm). Prüfen Sie, dass die Flügelmutter (M6 x 50 mm) festgezogen ist, schieben Sie dann die Montageeinheit der Oberfräsenbasis auf die zwei Stäbe (Stab 10), und ziehen Sie die Klemmschrauben an der Basis fest.

Feinanpassung zur Positionierung des Einsatzes in Bezug zur Führungsschiene (Abb. 16)

1. Lösen Sie die Flügelmutter (M6 x 50 mm).
2. Sie können die Flügelmutter (M10 x 52 mm) zum Anpassen der Position drehen (eine Umdrehung korrigiert die Position um 1 mm).
3. Ziehen Sie nach Abschluss der Anpassung die Flügelmutter (M6 x 50 mm) sicher fest.

Der Skalaring kann extra gedreht werden, so können Sie die Skala auf Null (0) ausrichten.

Breitenänderung der Gleitbacke

Lösen Sie die mit Kreisen markierten Schrauben, um die Breite der Gleitbacke nach links und rechts zu ändern. Ziehen Sie nach dem Ändern der Breite die Schrauben wieder sicher fest. Der Änderungsbereich für die Gleitbackenbreite (d) liegt zwischen 280 mm und 350 mm. **(Abbn. 17 bis 19)**

Schablonenführung (optionales Zubehör) (Abb. 20)

Die Schablonenführung bietet einen Kranz, durch welchen der Einsatz passt, und ermöglicht so die Verwendung des Werkzeugs mit Schablonenmustern. Ziehen Sie zum Anbringen der Schablonenführung den Sicherungsscheibenhebel und bringen Sie die Schablonenführung an. **(Abb. 21)**

Sichern Sie die Schablone am Werkstück. Legen Sie das Werkzeug auf die Schablone und bewegen Sie das Werkzeug, wobei die Schablonenführung an der Seite der Schablone entlang gleitet. **(Abb. 22)**

HINWEIS:

• Das Werkstück wird auf eine leicht von der Schablone abweichende Größe geschnitten. Berücksichtigen Sie den Abstand (X) zwischen Einsatz und dem Äußeren der Schablonenführung. Der Abstand (X) lässt sich wie folgt berechnen:

Abstand (X) = (Außendurchmesser der Schablonenführung - Einsatzdurchmesser) / 2

Zuschneidführung (optionales Zubehör) (Abb. 23)

Zuschnitte, Kurvenschnitte in Furnieren für Möbel und Ähnliches können mit der Zuschneidführung leicht bewerkstelligt werden. Die Führungsrolle folgt der Kurve und sorgt für einen sauberen Schnitt. Bringen Sie die Zuschneidführung mit der Klemmschraube (B) am Führungshalter an. Führen Sie den Führungshalter in die Löcher im Werkzeuggleitschuh ein, und ziehen Sie die Klemmschraube (A) an. Um den Abstand zwischen Einsatz und Zuschneidführung einzustellen, lösen Sie die Klemmschraube (B) und verstellen die Feineinstellschraube (1,5 mm pro Umdrehung). Lösen Sie zum Verstellen der Führungsrolle nach oben und unten die Klemmschraube (C). Ziehen Sie nach dem Ausrichten die Klemmschraube fest an. (Abb. 24) Bewegen Sie beim Schneiden das Werkzeug mit der Führungsrolle eng an der Seitenkante des Werkstücks entlang. (Abb. 25)

Absaugstutzen (Zubehör) (Abb. 26)

Saugen Sie mit dem Absaugstutzen den Staub ab. Befestigen Sie den Absaugstutzen mit der Flügelschraube auf der Werkzeugbasis, sodass der Vorsprung am Absaugstutzen in die Nase in der Werkzeugbasis passt. Schließen Sie dann einen Staubsauger an den Absaugstutzen an. (Abb. 27)

So stellen Sie die Schnitttiefe mit der Schraube M6 x 135 ein

Bei Verwendung des Werkzeugs mit einem auf dem Markt erhältlichen Oberfrästmisch kann der Bediener mit dieser Schraube die Feinanpassung der Schnitttiefe von oben vornehmen. (Abb. 28)

1. Installieren der Schraube und der Unterlegscheibe am Werkzeug

- Stecken Sie die Unterlegscheibe auf diese Schraube.
- Stecken Sie diese Schraube durch das Schraubenloch in den Werkzeuggleitschuh, und schrauben Sie die Schraube in das Gewindestück im Motorträger des Werkzeugs ein. (Abb. 29 bis 31)

Tragen Sie etwas Schmiere oder Schmieröl auf die Innenseite des Schraubenlochs im Werkzeuggleitschuh und auf das Gewindestück im Motorträger auf. (Abb. 32 und 33)

2. Einstellen der Schnitttiefe

- Die Feineinstellung der Schnitttiefe können Sie durch Drehen dieser Schraube mit einem Schraubendreher von oben erreichen. (1,0 mm pro Umdrehung)
- Durch Drehen im Uhrzeigersinn wird die Schnitttiefe vergrößert; durch Drehen entgegen dem Uhrzeigersinn verkleinert. (Abb. 34)

WARTUNG

VORSICHT:

- Schalten Sie das Werkzeug stets aus und ziehen Sie den Netzstecker, bevor Sie Prüfungen oder Wartungsarbeiten am Werkzeug durchführen.

Ersetzen der Kohlebürsten (Abb. 35)

Entfernen und überprüfen Sie die Kohlebürsten in regelmäßigen Abständen. Ersetzen Sie diese, wenn sie bis zur Verschleißgrenze abgenutzt sind. Halten Sie die Kohlebürsten sauber und sorgen Sie dafür, dass sie locker in den Halterungen liegen. Ersetzen Sie beide Kohlebürsten gleichzeitig. Verwenden Sie nur identische Kohlebürsten. Verwenden Sie einen Schraubendreher, um die Bürstenhalterkappen zu entfernen. Entnehmen Sie die verbrauchten Kohlebürsten, legen Sie die neuen ein und bringen Sie die Bürstenhalterkappen wieder fest an. (Abb. 36) Nach Austausch der Bürsten schließen Sie das Werkzeug an die Stromversorgung an und fahren Sie die Bürsten ein, indem Sie das Werkzeug etwa 10 Minuten ohne Last laufen lassen. Prüfen Sie dann das Werkzeug im Lauf und den Betrieb der elektrischen Bremse durch Loslassen des Auslöseschalters. Wenn die elektrische Bremse nicht richtig funktioniert, lassen Sie das Werkzeug bei einem Makita-Servicecenter reparieren. Um die SICHERHEIT und ZUVERLÄSSIGKEIT des Produkts zu gewährleisten, sollten Reparaturen, Wartungsarbeiten und Einstellungen nur durch von Makita autorisierte Servicecenter durchgeführt und immer Makita-Ersatzteile verwendet werden.

ZUBEHÖR

VORSICHT:

- Für das in diesem Handbuch beschriebene Makita-Werkzeug werden die folgenden Zubehör- und Zusatzteile empfohlen. Bei Verwendung anderer Zubehör- und Zusatzteile besteht Verletzungsgefahr. Verwenden Sie Zubehör- und Zusatzteile nur für den vorgesehenen Zweck.

Informationen zu diesem Zubehör erhalten Sie bei einem Makita-Servicecenter in Ihrer Nähe.

- Gerade und Nuten formende Einsätze
- Kanten formende Einsätze
- Einsätze für Laminatzuschnitt
- Führungsschiene
- Zuschneidführung
- Führungshalter
- Schablonenführungen
- Schablonenführungsadapter
- Sicherungsmutter
- Spannkegel 12 mm, 1/2"
- Spannzangenkranz 6 mm, 8 mm, 10 mm
- Spannzangenkranz 3/8", 1/4"
- Schraubenschlüssel 24
- Staubsaugerkopfsatz

Oberfräseneinsätze

Gerader Einsatz (Abb. 37)

mm

D	A	L 1	L 2
6	20	50	15
1/4"			
12	12	60	30
1/2"			
12	10	60	25
1/2"			
8	8	60	25
6	8	50	18
1/4"			
6	6	50	18
1/4"			

U-Nut-Einsatz (Abb. 38)

mm

D	A	L 1	L 2	R
6	6	50	18	3

V-Nut-Einsatz (Abb. 39)

mm

D	A	L 1	L 2	θ
1/4"	20	50	15	90°

Flachbohrfräseinsatz (Abb. 40)

mm

D	A	L 1	L 2	L 3
12	12	60	20	35
8	8	60	20	35
6	6	60	18	28

Doppel-Flachbohrfräseinsatz (Abb. 41)

mm

D	A	L 1	L 2	L 3	L 4
6	6	70	40	12	14

Brettverfugungseinsatz (Abb. 42)

mm

D	A 1	A 2	L 1	L 2	L 3
12	38	27	61	4	20

Viertelkreisfräser (Abb. 43)

mm

D	A 1	A 2	L 1	L 2	L 3	R
6	25	9	48	13	5	8
6	20	8	45	10	4	4

Anfaseinsatz (Abb. 44)

mm

D	A	L 1	L 2	L 3	θ
6	23	46	11	6	30°
6	20	50	13	5	45°
6	20	49	14	2	60°

Wölbungsbördeleinsatz (Abb. 45)

mm

D	A	L 1	L 2	R
6	20	43	8	4
6	25	48	13	8

Kugellager-Flachzschneider (Abb. 46)

mm

D	A	L 1	L 2
6	10	50	20
1/4"			

Kugellager-Viertelkreisfräser (Abb. 47)

mm

D	A 1	A 2	L 1	L 2	L 3	R
6	15	8	37	7	3,5	3
6	21	8	40	10	3,5	6
1/4"	21	8	40	10	3,5	6

Kugellager-Anfaseinsatz (Abb. 48)

mm

D	A 1	A 2	L 1	L 2	θ
6	26	8	42	12	45°
1/4"					
6	20	8	41	11	60°

Kugellager-Bördeleinsatz (Abb. 49)

mm

D	A 1	A 2	A 3	L 1	L 2	L 3	R
6	20	12	8	40	10	5,5	4
6	26	12	8	42	12	4,5	7

Kugellager-Wölbungsbördeleinsatz (Abb. 50)

mm

D	A 1	A 2	A 3	A 4	L 1	L 2	L 3	R
6	20	18	12	8	40	10	5,5	3
6	26	22	12	8	42	12	5	5

Kugellager-Hohlkehleinsatz (Abb. 51)

mm

D	A 1	A 2	L 1	L 2	L 3	R1	R2
6	20	8	40	10	4,5	2,5	4,5
6	26	8	42	12	4,5	3	6

Für Modell RP1800, RP1800F, RP1801

Nur für europäische Länder

Schallpegel ENG102-1

Typischer A-bewerteter Schallpegel nach EN60745-2-17:

Schalldruckpegel (L_{pA}): 86 dB (A)

Schalleistungspegel (L_{WA}): 97 dB (A)

Abweichung (K): 3 dB (A)

Tragen Sie Gehörschutz.

Vibration NEG223-1

Schwingungsgesamtwerte (Vektorsumme dreier Achsen)

nach EN60745-2-17:

Arbeitsmodus: Schneiden von Kerben in mitteldichte Faserplatten (MDF)

Schwingungsbelastung (a_h): 4,0 m/s²

Abweichung (K): 1,5 m/s²

Für Modell RP2300FC, RP2301FC

Nur für europäische Länder

Schallpegel ENG102-1

Typischer A-bewerteter Schallpegel nach EN60745-2-17:

Schalldruckpegel (L_{pA}): 87 dB (A)

Schalleistungspegel (L_{WA}): 98 dB (A)

Abweichung (K): 3 dB (A)

Tragen Sie Gehörschutz.

Schwingung ENG223-1

Schwingungsgesamtwerte (Vektorsumme dreier Achsen)

nach EN60745-2-17:

Arbeitsmodus: Schneiden von Kerben in mitteldichte Faserplatten (MDF)

Schwingungsbelastung (a_h): 4,5 m/s²

Abweichung (K): 1,5 m/s²

EG-KONFORMITÄTSERKLÄRUNG ENH101-9

Modell:

RP1800, RP1800F, RP1801, RP2300FC, RP2301FC

Wir erklären in alleiniger Verantwortung, dass sich dieses Produkt in Übereinstimmung mit den folgenden Normen der Normdokumente EN60745, EN55014, EN61000 und den Ratsverordnungen 2004/108/EC, 98/37/EC befindet.

CE2008



Tomoyasu Kato
Direktor

Verantwortlicher Hersteller:

Makita Corporation

3-11-8, Sumiyoshi-cho, Anjo, Aichi, JAPAN

Autorisierte Vertretung in Europa:

Makita International Europe Ltd.

Michigan Drive, Tongwell, Milton Keynes, Bucks MK15
8JD, ENGLAND

Spiegazione della vista generale

- | | | |
|--|--|--|
| 1. Ghiera di regolazione | 21. Guida di allineamento | 40. Vite di serraggio (C) |
| 2. Levetta di blocco | 22. Vite di regolazione | 41. Guida di rifilatura |
| 3. Dado di regolazione dell'asta del fermo | 23. Vite di serraggio (B) | 42. Rullo guida |
| 4. Tasto di avanzamento rapido | 24. Vite di serraggio (A) | 43. Ugello antipolvere |
| 5. Bullone di regolazione | 25. Supporto della guida | 44. Vite di serraggio |
| 6. Blocco del fermo | 26. Più di 15 mm | 45. Rondella piana 6 |
| 7. Indicatore di profondità | 27. Legno | 46. Vite M6 x 135 |
| 8. Asta del fermo | 28. Viti | 47. Foro |
| 9. Dado in nylon | 29. Parti mobili | 48. Parte filettata nel sostegno del motore |
| 10. Bullone di regolazione | 30. Se impostata sulla larghezza minima di apertura | 49. Interno del foro della vite nella base dell'utensile |
| 11. Pulsante di blocco | 31. Se impostata sulla larghezza massima di apertura | 50. Parte filettata nel sostegno del motore |
| 12. Interruttore | 32. Guida per sagome | 51. Cacciavite |
| 13. Ghiera di regolazione della velocità | 33. Piastra di bloccaggio | 52. Indicatore di limite |
| 14. Lampada | 34. Punta | 53. Coperchio portaspazzola |
| 15. Blocco dell'albero | 35. Base | |
| 16. Chiave | 36. Sagoma | |
| 17. Pezzo in lavorazione | 37. Distanza (X) | |
| 18. Direzione di rotazione della punta | 38. Diametro esterno della guida per sagome | |
| 19. Vista dell'utensile dall'alto | 39. Supporto della guida | |
| 20. Direzione di avanzamento | | |

CARATTERISTICHE TECNICHE

Modello	RP1800/ RP1800F	RP1801/ RP1801F	RP2300FC	RP2301FC
Capacità mandrino a pinza	12 mm o 1/2"			
Capacità di immersione	0 - 70 mm			
Velocità a vuoto (min ⁻¹)	22.000		9.000 - 22.000	
Lunghezza totale	312 mm			
Peso netto	6,0 kg		6,1 kg	
Classe di sicurezza	II/II			

- Le caratteristiche tecniche riportate di seguito sono soggette a modifiche senza preavviso in virtù del nostro programma continuo di ricerca e sviluppo.
- Nota: le caratteristiche tecniche possono differire da paese a paese.
- Peso calcolato in base alla Procedura EPTA 01/2003

Uso previsto

ENE010-1

Questo utensile è progettato per rifilare a filo e creare profili di legno, plastica e materiali simili.

Alimentazione

ENF002-1

L'utensile deve essere collegato a una presa di corrente con la stessa tensione di quella indicata sulla targhetta e può funzionare soltanto con corrente alternata monofase. L'utensile è dotato di doppio isolamento in osservanza delle norme europee, pertanto può essere utilizzato anche con prese di corrente sprovviste della messa a terra.

REGOLE DI SICUREZZA SPECIFICHE

GEB018-1

NON lasciare che la familiarità acquisita con il prodotto in seguito all'uso ripetuto sia causa di inosservanza delle regole di sicurezza della fresatrice verticale. Se questo utensile viene utilizzato in modo

improprio o errato, è possibile subire lesioni personali gravi.

1. **Se vengono eseguite operazioni in cui l'utensile di taglio può toccare fili nascosti o il cavo di alimentazione, impugnare l'utensile utilizzando i punti di presa isolati.** Il contatto con un filo percorso da corrente farà sì che le parti metalliche esposte dell'utensile si trovino anch'esse sotto tensione provocando scosse elettriche all'operatore.
2. **Usare i morsetti o un altro metodo per fissare e sostenere il pezzo in lavorazione ad una piattaforma stabile.** Sorreggere il pezzo con le mani o contro il proprio corpo lo rende instabile e può causare la perdita di controllo.
3. **Indossare protezioni acustiche quando si utilizza l'utensile per lunghi periodi.**
4. **Maneggiare le punte con estrema cautela.**
5. **Prima dell'uso, verificare lo stato delle punte alla ricerca di eventuali cricche o danni. Sostituire immediatamente punte con cricche o danneggiate.**

6. **Evitare di tagliare chiodi. Prima della sessione di lavoro, controllare e rimuovere tutti i chiodi dal pezzo in lavorazione.**
7. **Tenere saldamente l'utensile con entrambe le mani.**
8. **Tenere le mani lontano dalle parti rotanti.**
9. **Verificare che la punta non tocchi il pezzo in lavorazione prima di accendere l'interruttore.**
10. **Prima di usare l'utensile, lasciarlo funzionare a vuoto per qualche minuto. Verificare l'eventuale presenza di vibrazioni o oscillazioni che possono essere indice di una punta montata in modo errato.**
11. **Prestare attenzione al senso di rotazione e di alimentazione della punta.**
12. **Non lasciare l'utensile acceso. Azionare l'utensile solo dopo averlo impugnato.**
13. **Spegnerlo e aspettare sempre che la punta si fermi completamente prima di rimuoverla dal pezzo in lavorazione.**
14. **Non toccare la punta subito dopo aver utilizzato l'utensile poiché può raggiungere temperature elevate e provocare ustioni.**
15. **Non macchiare il piano dell'utensile usando diluenti, benzina, petrolio o prodotti simili. Tali sostanze possono provocare cricche nel piano dell'utensile.**
16. **Prestare attenzione alla scelta di frese aventi il corretto diametro del gambo e adeguate alla velocità imposta dall'utensile.**
17. **Alcuni materiali contengono prodotti chimici potenzialmente tossici. Evitare l'inalazione della polvere e il contatto con la pelle. Attenersi alle istruzioni di sicurezza del fornitore dei materiali.**
18. **Usare sempre una maschera antipolvere e/o il respiratore appropriati al materiale e all'applicazione.**

CONSERVARE QUESTE ISTRUZIONI.

AVVERTENZA:

L'USO IMPROPRIO o la non osservanza delle norme di sicurezza riportate in questo manuale di istruzioni possono essere causa di gravi lesioni personali.

DESCRIZIONE FUNZIONALE

ATTENZIONE:

- Prima di regolare o controllare le funzioni dell'utensile, verificare sempre di averlo spento e scollegato dall'alimentazione.

Regolazione della profondità di taglio (Fig. 1)

Posizionare l'utensile su una superficie piana. Allentare la levetta di blocco e abbassare il corpo dell'utensile fino a quando la punta giunge a sfiorare la superficie piana.

Serrare la levetta di blocco per bloccare il corpo dell'utensile.

Ruotare il dado di regolazione dell'asta del fermo in senso antiorario. Abbassare l'asta del fermo fino al contatto con il bullone di regolazione. Allineare l'indicatore di profondità

con la graduazione 0. La profondità del taglio è indicata sulla scala dall'indicatore di profondità.

Tenendo premuto il tasto di avanzamento rapido, sollevare l'asta del fermo fino a raggiungere la profondità di taglio desiderata. La regolazione precisa della profondità può essere ottenuta ruotando la ghiera di regolazione (1 mm per giro).

Ruotando in senso orario il dado di regolazione dell'asta del fermo, è possibile serrare l'asta del fermo.

È possibile ottenere la profondità predeterminata del taglio allentando la levetta di blocco, quindi abbassando il corpo dell'utensile finché l'asta del fermo non è a contatto con il bullone esagonale di regolazione del blocco del fermo.

Dado in nylon (Fig. 2)

Il limite superiore del corpo dell'utensile può essere regolato ruotando il dado in nylon.

ATTENZIONE:

- Non abbassare troppo il dado in nylon. La punta spingerà in modo pericoloso.

Blocco del fermo (Fig. 3)

Il blocco del fermo ha tre bulloni esagonali di regolazione che sollevano o abbassano di 0,8 mm per ogni giro. È possibile ottenere facilmente tre profondità differenti di taglio utilizzando questi bulloni esagonali di regolazione senza dover regolare di nuovo l'asta del fermo.

Regolare il bullone esagonale più basso per ottenere la profondità maggiore di taglio, seguendo il metodo indicato in Regolazione della profondità di taglio.

Regolare i due restanti bulloni esagonali di regolazione per ottenere profondità di taglio maggiori. La differenza in altezza di questi bulloni esagonali di regolazione è uguale alla differenza nelle profondità di taglio.

Per regolare i bulloni esagonali, ruotarli con un cacciavite o una chiave. Il blocco del fermo è anche utile per effettuare tre passaggi con impostazioni della punta progressivamente più profonde quando si tagliano scanalature profonde.

ATTENZIONE:

- Un taglio eccessivo provoca il sovraccarico del motore o difficoltà nel controllo dell'utensile. Quando si tagliano delle scanalature con una punta di 8 mm di diametro, la profondità di taglio non deve superare i 15 mm in un solo passaggio.
- Quando si tagliano delle scanalature con una punta dal diametro di 20 mm, la profondità di taglio non deve superare i 5 mm in un solo passaggio.
- Per operazioni di scanalatura con profondità superiore, effettuare due o tre passaggi con impostazioni della punta progressivamente più profonde.

Azionamento dell'interruttore (Fig. 4)

ATTENZIONE:

- Prima di collegare l'utensile, controllare se l'interruttore funziona correttamente e ritorna alla posizione OFF una volta rilasciato.
- Verificare che il blocco dell'albero sia stato rimosso prima di attivare l'interruttore.

La sicura previene l'azionamento involontario dell'interruttore di accensione.

Per accendere l'utensile, premere la sicura e tirare l'interruttore di accensione. Per spegnere l'utensile, rilasciare l'interruttore.
 Per il funzionamento continuo, tirare l'interruttore e, successivamente, premere ulteriormente il pulsante di blocco. Per fermare l'utensile, tirare l'interruttore in modo che la sicura ritorni automaticamente in posizione. A questo punto rilasciare l'interruttore.
 Dopo aver rilasciato l'interruttore, la sicura impedisce di tirare l'interruttore.

ATTENZIONE:

- Sorreggere saldamente l'utensile durante lo spegnimento per controllarne la reazione.

Funzione elettronica

Solo per i modelli RP2300FC, RP2301FC

Controllo costante della velocità

- Consente finiture precise grazie alla costanza della velocità di rotazione anche in condizioni di carico.
- Inoltre, quando il carico dell'utensile supera i livelli consentiti, la potenza fornita al motore viene ridotta per evitare che il motore si surriscaldi. Quando il carico ritorna ai livelli consentiti, l'utensile riprende a funzionare normalmente.

Funzione di avvio morbido

- L'avvio morbido permette di rimuovere colpi e scosse iniziali.

Ghiera di regolazione della velocità

Solo per i modelli RP2300FC, RP2301FC (Fig. 5)

È possibile modificare la velocità dell'utensile girando la ghiera di regolazione della velocità su un valore compreso tra 1 e 6.

La velocità più alta si ottiene girando la ghiera nella direzione del numero 6; la velocità più bassa si ottiene girando la ghiera nella direzione del numero 1.

È quindi possibile selezionare la velocità ideale per un trattamento ottimale dei materiali: in pratica, la velocità può essere regolata in base al materiale e al diametro della punta.

Per il rapporto tra l'impostazione del numero sulla ghiera e la velocità approssimativa dell'utensile, fare riferimento alla tabella.

Numero	min ⁻¹
1	9.000
2	11.000
3	14.000
4	17.000
5	20.000
6	22.000

ATTENZIONE:

- Se l'utensile è usato per molto tempo a basse velocità, in modo continuativo, il motore risulterà sovraccaricato, con il risultato di un cattivo funzionamento.
- La ghiera di regolazione della velocità può essere ruotata soltanto fino a 6 o indietro fino a 1. Non forzarla oltre 6 o 1: potrebbe non funzionare più correttamente.

Accensione delle lampade

Solo per i modelli RP1800F, RP1801F, RP2300FC, RP2301FC (Fig. 6)

ATTENZIONE:

- Non osservare direttamente la luce o la fonte luminosa. Per accendere la lampadina, azionare l'interruttore. La lampada rimane accesa fino a quando si tiene premuto l'interruttore.
 La lampada si spegne automaticamente 10 - 15 secondi dopo aver rilasciato l'interruttore.

NOTA:

- Utilizzare un panno asciutto per pulire la lente della lampada. Prestare attenzione a non graffiare la lente della lampada per evitare riduzioni dell'intensità luminosa.

MONTAGGIO

ATTENZIONE:

- Accertarsi sempre che l'utensile sia spento e scollegato dall'alimentazione prima di svolgere qualsiasi operazione su di esso.

Installazione o rimozione della punta (Fig. 7)

ATTENZIONE:

- Montare la punta in modo sicuro. Utilizzare solo la chiave in dotazione con l'utensile. Una punta allentata o avvitata eccessivamente può essere pericolosa.
- Utilizzare sempre una bussola idonea al diametro del gambo della punta.
- Non serrare il dado della bussola prima di aver inserito la punta, o inserire punte a gambo piccolo senza utilizzare un manicotto della bussola. Potrebbero causare la rottura dell'anello conico.
- Utilizzare solamente punte per fresatrice la cui velocità massima, indicata sulla punta, supera la velocità massima della fresatrice.

Inserire a fondo la punta nell'anello conico. Premere il blocco dell'albero per fissarlo e utilizzare la chiave per serrare il dado della bussola. Quando si utilizzano punte per fresatrice con diametro del gambo inferiore, inserire prima l'apposito manicotto della bussola nell'anello conico, quindi inserire la punta come descritto.
 Per rimuovere la punta, attenersi alla procedura di installazione procedendo in senso inverso.

USO

ATTENZIONE:

- Prima dell'uso, verificare sempre che il corpo dell'utensile si sollevi automaticamente fino al limite superiore e che la punta non sporga dalla base dell'utensile quando la leva di blocco è allentata.
- Prima dell'uso, verificare sempre che la protezione sfidri sia montata correttamente. **(Fig. 8)**

Utilizzare sempre entrambe le impugnature e sostenere l'utensile con esse durante l'uso.
 Collocare la base dell'utensile sul pezzo in lavorazione senza che la punta entri in contatto con il materiale da tagliare. Accendere l'utensile e attendere che la punta raggiunga la massima velocità. Abbassare il corpo

dell'utensile e farlo avanzare sulla superficie del pezzo in lavorazione tenendo il supporto della base a filo e procedendo senza interruzioni fino al completamento del taglio.

Quando si tagliano i bordi, la superficie del pezzo in lavorazione deve rimanere alla sinistra della punta nella direzione di avanzamento. (Fig. 9)

NOTA:

- Se l'utensile viene fatto avanzare troppo velocemente, la qualità del taglio risulta scadente oppure si possono danneggiare la punta o il motore. Allo stesso modo, un avanzamento troppo lento brucia e rovina il taglio. La velocità di avanzamento corretta è in funzione delle dimensioni della punta, del tipo di pezzo in lavorazione e della profondità di taglio. Prima di iniziare a tagliare il pezzo in lavorazione, si consiglia di eseguire un taglio di prova su un pezzo di legno di scarto. In questo modo si potrà verificare l'aspetto del taglio e controllare le dimensioni.
- Se in uso, la guida di allineamento o la guida per la rifilatura deve essere montata sul lato destro nella direzione di avanzamento. In questo modo sarà a filo con il lato del pezzo in lavorazione (Fig. 10)

Guida di allineamento (Fig. 11)

La guida di allineamento serve a ottenere tagli dritti durante la smussatura o la scanalatura.

Fissare la guida di allineamento sul supporto guida utilizzando la vite di serraggio (B). Inserire il supporto guida nei fori alla base dell'utensile e serrare la vite di serraggio (A).

Per regolare la distanza tra la punta e la guida di allineamento, allentare la vite di serraggio (B) e ruotare la vite di regolazione (1,5 mm per giro). Alla distanza desiderata, serrare la vite di serraggio (B) per fissare la guida di allineamento. (Fig. 12)

Per ottenere una guida di allineamento più larga avente le dimensioni desiderate, si possono aggiungere altre aste di legno utilizzando gli appositi fori sulla guida. (Fig. 13)

Quando si utilizza una punta di diametro elevato, applicare alla guida di allineamento pezzi di legno con uno spessore superiore a 15 mm per impedire che la punta colpisca la guida di allineamento.

Durante il taglio spostare l'utensile con la guida di allineamento in modo che sia a filo con il lato del pezzo in lavorazione.

Se la distanza tra il lato del pezzo in lavorazione e la posizione di taglio è troppo ampia per la guida di allineamento o se il lato del pezzo in lavorazione non è allineato, non è possibile utilizzare la guida di allineamento. In questo caso, stringere saldamente un pannello dritto al pezzo in lavorazione e utilizzarlo come guida contro la base della taglierina. Spingere l'utensile nella direzione della freccia. (Fig. 14)

Guida di allineamento a regolazione precisa (accessorio) (Fig. 15)

Quando è montata la fresatrice

Inserire le due aste (Asta 10) negli alloggiamenti di montaggio esterni del supporto della guida e fissarle serrando le due viti di montaggio (M15 x 14 mm). Assicurarsi che il dado (M6 x 50 mm) sia serrato correttamente, quindi far scorrere l'unità di montaggio

della base della fresatrice sulle due aste (Asta 10) e serrare le viti di serraggio delle basi.

Funzione di regolazione corretta per il posizionamento della lama sulla guida di allineamento (Fig. 16)

1. Allentare il dado ad alette (M6 x 50 mm).
2. È possibile ruotare il dado ad alette (M10 x 52 mm) per regolare la posizione (un giro regola la posizione di 1 mm).
3. Dopo aver completato la regolazione della posizione, serrare il dado ad alette (M6 x 50 mm).

È possibile ruotare l'anello di misurazione separatamente, in modo tale che la relativa unità possa essere allineata sullo zero (0).

Modifica della larghezza del pattino di scorrimento

Allentare le viti contrassegnate dai circoli per modificare la larghezza del pattino di scorrimento verso destra e sinistra.

Dopo aver modificato la larghezza, serrare le viti fino a bloccarle. L'intervallo di modifica della larghezza del pattino di scorrimento (d) va da 280 mm a 350 mm. (Fig. 17 - 19)

Guida per sagome (accessorio) (Fig. 20)

La guida per sagome dispone di una bussola nella quale inserire la punta e utilizzare lo strumento con le sagome. Per fissare la guida per sagome, tirare la leva della piastra di bloccaggio e inserire la guida per sagome. (Fig. 21)

Fissare la sagoma al pezzo in lavorazione. Posizionare l'utensile sulla sagoma e spostarlo con la guida facendolo scorrere lungo il lato della sagoma. (Fig. 22)

NOTA:

- Il pezzo in lavorazione sarà tagliato con una dimensione leggermente diversa dalla sagoma. Mantenere la distanza (X) tra la punta e l'esterno della guida per sagome. La distanza (X) può essere calcolata utilizzando la seguente equazione:
Distanza (X) = (diametro esterno della guida per sagome - diametro punta) / 2

Guida di rifilatura (accessorio) (Fig. 23)

Per praticare tagli ricurvi in pannelli impiallacciati per arredamento e simili è disponibile una guida per rifilatura. Il rullo guida indirizza la curvatura e garantisce un taglio preciso.

Fissare la guida di rifilatura sul supporto guida utilizzando la vite di serraggio (B). Inserire il supporto guida nei fori alla base dell'utensile e serrare la vite di serraggio (A).

Per regolare la distanza tra la punta e la guida di rifilatura, allentare la vite di serraggio (B) e ruotare la vite di regolazione (1,5 mm per giro). Durante la regolazione del rullo guida, allentare la vite di serraggio (C).

Al termine della regolazione, serrare tutte le viti di serraggio. (Fig. 24)

Durante il taglio spostare l'utensile con il rullo guida in modo che sia a filo con il lato del pezzo in lavorazione. (Fig. 25)

Kit ugello antipolvere (accessorio) (Fig. 26)

Utilizzare l'ugello antipolvere per estrarre la polvere. Installare l'ugello antipolvere sulla base dell'utensile mediante la vite a mano in modo che la sporgenza sull'ugello antipolvere si inserisca nella tacca presente sulla base dello strumento. Collegare quindi un aspirapolvere all'ugello antipolvere. (Fig. 27)

Utilizzo della vite M6 x 135 per la regolazione della profondità di taglio

Durante l'uso dell'utensile con un tavolo per fresatrice disponibile in commercio, l'uso di questa vite consente all'operatore di regolare leggermente la profondità di taglio dal tavolo. (Fig. 28)

1. Inserire la vite e la rondella sull'utensile.

- Fissare la rondella piana a questa vite.
- Inserire la vite in un foro per vite nella base dell'utensile, quindi avvitare la parte filettata nel sostegno del motore sull'utensile. (Fig. 29 - 31)

In questa fase, applicare grasso oppure olio lubrificante all'interno del foro per vite nella base dell'utensile e nella parte filettata nel sostegno del motore. (Fig. 32 e 33)

2. Regolazione della profondità di taglio

- Una piccola regolazione della profondità di taglio può essere ottenuta ruotando questa vite con un cacciavite dal tavolo (1,0 mm per giro completo).
- La rotazione in senso orario aumenta la profondità di taglio, la rotazione in senso antiorario la diminuisce. (Fig. 34)

MANUTENZIONE

ATTENZIONE:

- Prima di effettuare controlli e operazioni di manutenzione, verificare sempre che l'utensile sia spento e scollegato dall'alimentazione.

Sostituzione delle spazzole di carbone (Fig. 35)

Rimuovere e controllare periodicamente le spazzole di carbone.

Sostituire le spazzole quando sono consumate fino all'indicatore di limite. Mantenere le spazzole di carbone pulite e libere di scorrere nei supporti.

Entrambe le spazzole di carbone devono essere sostituite contemporaneamente. Utilizzare solo spazzole di carbone dello stesso tipo.

Rimuovere i coperchi dei portaspazzola con un cacciavite.

Estrarre le spazzole di carbone consumate, inserire le nuove spazzole e fissare i coperchi dei portaspazzola. (Fig. 36)

(Fig. 36)

Dopo aver sostituito le spazzole, collegare l'utensile e fissare le spazzole facendo funzionare l'utensile senza carico per circa 10 minuti. Controllare quindi l'utensile durante il funzionamento e l'operazione di frenatura elettrica quando l'interruttore viene rilasciato. Se il freno elettrico non funziona bene, rivolgersi al centro assistenza Makita di zona per la riparazione.

Al fine di garantire la SICUREZZA e l'AFFIDABILITÀ del prodotto, le riparazioni e qualsivoglia ulteriore operazione di manutenzione o regolazione devono essere eseguite

dai centri di assistenza autorizzati Makita utilizzando sempre parti di ricambio Makita.

ACCESSORI

ATTENZIONE:

- Si raccomanda di usare questi accessori per l'utensile Makita descritto in questo manuale. L'uso di qualsiasi altro accessorio potrebbe provocare lesioni personali. Utilizzare gli accessori esclusivamente per l'uso dichiarato.

Per l'assistenza e ulteriori informazioni su tali accessori, rivolgersi al centro di assistenza Makita più vicino.

- Punte per scanalature e tagli dritti
- Punte per bordi
- Punte rifilatrici laminate
- Guida di allineamento
- Guida per rifilatura
- Supporto della guida
- Guide per sagome
- Adattatore di guide per sagome
- Controdado
- Anello conico 12 mm, 1/2"
- Manicotto della bussola 6 mm, 8 mm, 10 mm
- Manicotto della bussola 3/8, 1/4"
- Chiave da 24
- Kit testa a vuoto

Punte per fresatrice verticale

Punta dritta (Fig. 37)

mm

D	A	L 1	L 2
6	20	50	15
1/4"			
12	12	60	30
1/2"			
12	10	60	25
1/2"			
8	8	60	25
6	8	50	18
1/4"			
6	6	50	18
1/4"			

Punta per scanalatura a U (Fig. 38)

mm

D	A	L 1	L 2	R
6	6	50	18	3

Punta per scanalatura a V (Fig. 39)

mm

D	A	L 1	L 2	θ
1/4"	20	50	15	90°

Punta rifilatrice a filo con punta da trapano (Fig. 40)

mm

D	A	L 1	L 2	L 3
12	12	60	20	35
8	8	60	20	35
6	6	60	18	28

Punta rifilatrice a filo doppia con punta da trapano (Fig. 41)

mm

D	A	L 1	L 2	L 3	L 4
6	6	70	40	12	14

Punta per giunzioni (Fig. 42)

mm

D	A 1	A 2	L 1	L 2	L 3
12	38	27	61	4	20

Punta per arrotondare gli angoli (Fig. 43)

mm

D	A 1	A 2	L 1	L 2	L 3	R
6	25	9	48	13	5	8
6	20	8	45	10	4	4

Punta per smussatura (Fig. 44)

mm

D	A	L 1	L 2	L 3	θ
6	23	46	11	6	30°
6	20	50	13	5	45°
6	20	49	14	2	60°

Punta per modanature (Fig. 45)

mm

D	A	L 1	L 2	R
6	20	43	8	4
6	25	48	13	8

Punta rifilatrice a filo con cuscinetto (Fig. 46)

mm

D	A	L 1	L 2
6	10	50	20
1/4"			

Punta per arrotondare gli angoli con cuscinetto (Fig. 47)

mm

D	A 1	A 2	L 1	L 2	L 3	R
6	15	8	37	7	3,5	3
6	21	8	40	10	3,5	6
1/4"	21	8	40	10	3,5	6

Punta per smussatura con cuscinetto (Fig. 48)

mm

D	A 1	A 2	L 1	L 2	θ
6	26	8	42	12	45°
1/4"					60°
6	20	8	41	11	

Punta per modanature con cuscinetto (Fig. 49)

mm

D	A 1	A 2	A 3	L 1	L 2	L 3	R
6	20	12	8	40	10	5,5	4
6	26	12	8	42	12	4,5	7

Punta per modanature con cuscinetto (Fig. 50)

mm

D	A 1	A 2	A 3	A 4	L 1	L 2	L 3	R
6	20	18	12	8	40	10	5,5	3
6	26	22	12	8	42	12	5	5

Punta per modanatura a S con cuscinetto (Fig. 51)

mm

D	A 1	A 2	L 1	L 2	L 3	R1	R2
6	20	8	40	10	4,5	2,5	4,5
6	26	8	42	12	4,5	3	6

Per i modelli RP1800, RP1800F, RP1801**Solo per i paesi europei****Rumore**

ENG102-1

Il tipico livello di rumore ponderato A è determinato in conformità con la norma EN60745-2-17:

Livello di pressione sonora (L_{pA}): 86 dB (A)

Livello di potenza sonora (L_{WA}): 97 dB (A)

Variazione (K): 3 dB (A)

Indossare una protezione acustica**Vibrazione**

ENG223-1

Il valore totale della vibrazione (somma vettoriale triassiale) è determinato in conformità con la norma EN60745-2-17:

Modalità di lavoro: taglio di scanalature in MDF

Emissione delle vibrazioni (a_h): 4,0 m/s²

Variazione (K): 1,5 m/s²

Solo per i modelli RP2300FC, RP2301FC**Solo per i paesi europei****Rumore**

ENG102-1

Il tipico livello di rumore ponderato A è determinato in conformità con la norma EN60745-2-17:

Livello di pressione sonora (L_{pA}): 87 dB (A)

Livello di potenza sonora (L_{WA}): 98 dB (A)

Variazione (K): 3 dB (A)

Indossare una protezione acustica**Vibrazione**

ENG223-1

Il valore totale della vibrazione (somma vettoriale triassiale) è determinato in conformità con la norma EN60745-2-17:

Modalità di lavoro: taglio di scanalature in MDF

Emissione delle vibrazioni (a_h): 4,5 m/s²

Variazione (K): 1,5 m/s²

Modello:

RP1800, RP1800F, RP1801, RP2300FC, RP2301FC

Dichiariamo sotto nostra esclusiva responsabilità che il presente prodotto è conforme alle seguenti norme o documenti normativi:

EN60745, EN55014, EN61000 secondo le disposizioni delle direttive del Consiglio, 2004/108/CE, 98/37/CE.

CE2008



Tomoyasu Kato
Direttore

Produttore responsabile:

Makita Corporation

3-11-8, Sumiyoshi-cho, Anjo, Aichi, GIAPPONE

Rappresentanti autorizzati in Europa:

Makita International Europe Ltd.

Michigan Drive, Tongwell, Milton Keynes, Bucks MK15
8JD, INGHILTERRA

NEDERLANDS

Verklaring van algemene gegevens

1. Instelwiel	20. Voortgangsrichting	38. Buitendiameter van de malgeleider
2. Vergrendelknop	21. Langsgeleider	39. Geleiderhouder
3. Instelmoer van aanslagstang	22. Fijnregelschroef	40. Klembout (C)
4. Sneltoevoerknop	23. Klembout (B)	41. Trimgeleider
5. Stelbout	24. Klembout (A)	42. Geleiderwiel
6. Aanslagblok	25. Geleiderhouder	43. Stofafzuigaansluitmond
7. Diepteaanwijzer	26. Meer dan 15 mm	44. Klembout
8. Aanslagstang	27. Hout	45. Platte ring 6
9. Nylonmoer	28. Schroeven	46. Bout M6 x 135
10. Stelbout	29. Verschuifbaar	47. Opening
11. Vastzetknop	30. Ingesteld op minimale breedte van opening	48. Draadgat in de motorsteun
12. Aan/uit-schakelaar	31. Ingesteld op maximale breedte van opening	49. Binnenin het boutgat in de voet van het gereedschap
13. Snelheidsregelaar	32. Malgeleider	50. Draadgat in de motorsteun
14. Lamp	33. Borgplaat	51. Schroevendraaier
15. Asvergrendeling	34. Bit	52. Slijtgrensmarkering
16. Steeksluutel	35. Voet	53. Koolborsteldop
17. Werkstuk	36. Mal	
18. Draairichting van het bit	37. Afstand (X)	
19. Aanzicht vanaf de bovenkant van het gereedschap		

TECHNISCHE GEGEVENS

Model	RP1800/ RP1800F	RP1801/ RP1801F	RP2300FC	RP2301FC
Capaciteit van spankop	12 mm of 1/2"			
Capaciteit blindfrezes	0 - 70 mm			
Nullastoerental (min ⁻¹)	22.000		9.000 - 22.000	
Totale lengte	312 mm			
Netto gewicht	6,0 kg		6,1 kg	
Veiligheidsklasse	□/II			

- Als gevolg van ons doorlopende onderzoeks- en ontwikkelingsprogramma, zijn de technische gegevens van dit gereedschap onderhevig aan veranderingen zonder voorafgaande kennisgeving.
- Opmerking: De technische gegevens kunnen van land tot land verschillen.
- Gewicht volgens de EPTA-procedure 01/2003

Gebruiksdoelstellingen

Het gereedschap is bedoeld voor het afkantrimmen en profileren van hout, kunststof en soortgelijke materialen.

Voeding

Het gereedschap mag uitsluitend worden aangesloten op een voeding met dezelfde spanning als aangegeven op het identificatieplaatje en werkt alleen op enkele-fase wisselstroom. Het gereedschap is dubbel geïsoleerd volgens de Europese norm en mag derhalve ook op een niet-geaard stopcontact worden aangesloten.

SPECIFIEKE VEILIGHEIDSVORSCHRIFTEN

GEB018-1

Laat u NIET misleiden door een vals gevoel van comfort en bekendheid met het gereedschap (na veelvuldig gebruik) en neem alle veiligheidsvoorschriften van de bovenfrees altijd strikt in acht. Bij onveilig of verkeerd gebruik van het gereedschap, bestaat de kans op ernstig persoonlijk letsel.

1. **Houd elektrisch gereedschap vast aan het geïsoleerde oppervlak van de handgrepen wanneer u werkt op plaatsen waar het freesgereedschap met verborgen bedrading of zijn eigen snoer in aanraking kan komen.** Door contact met onder spanning staande draden, zullen de niet-geïsoleerde metalen delen van het gereedschap onder spanning komen te staan zodat de gebruiker een elektrische schok kan krijgen.
2. **Gebruik klemmen of een andere praktische methode om het werkstuk op een stabiele ondergrond te bevestigen en ondersteunen.** Als u het werkstuk in w hand of tegen uw lichaam geklemd houdt, is het onvoldoende stabiel en kunt u de controle erover verliezen.
3. **Draag gehoorbescherming tijdens langdurig gebruik.**
4. **Behandel de bits voorzichtig.**
5. **Controleer vóór het gebruik het bit zorgvuldig op barsten of beschadiging. Vervang een gebarsten of beschadigd bit meteen.**

6. **Voorkom dat u in spijkers freest. Inspecteer het werkstuk op spijkers en verwijder deze zododig voordat u ermee begint te werken.**
7. **Houd het gereedschap met beide handen stevig vast.**
8. **Houd uw handen uit de buurt van draaiende delen.**
9. **Zorg ervoor dat het bit het werkstuk niet raakt voordat u het gereedschap hebt ingeschakeld.**
10. **Laat het gereedschap een tijdje draaien voordat u het werkstuk gaat frezen. Let goed op trillingen en schommelen die kunnen duiden op een onjuist aangebrachte bit.**
11. **Let goed op de draairichting van het bit en de doorvoerrichting van het werkstuk.**
12. **Laat het gereedschap niet ingeschakeld liggen. Bedien het gereedschap alleen wanneer u het vasthoudt.**
13. **Schakel het gereedschap uit en wacht altijd tot het bit volledig tot stilstand is gekomen voordat u het gereedschap uit het werkstuk verwijdert.**
14. **Raak het bit niet onmiddellijk na gebruik aan. Het kan bijzonder heet zijn en brandwonden op uw huid veroorzaken.**
15. **Smeer niet achteloos thinner, benzine, olie en dergelijke op de voet van het gereedschap. Deze middelen kunnen scheuren in de voet van het gereedschap veroorzaken.**
16. **Let er goed op dat u bits met de juiste asdiameter gebruikt en die geschikt zijn voor het toerental van het gereedschap.**
17. **Sommige materialen bevatten chemische stoffen die giftig kunnen zijn. Neem voorzorgsmaatregelen tegen het inademen van stof en contact met de huid. Volg de veiligheidsinstructies van de leverancier van het materiaal op.**
18. **Gebruik altijd het juiste stofmasker/ademhalingsapparaat voor het materiaal en de toepassing waarmee u werkt.**

BEWAAR DEZE INSTRUCTIES

WAARSCHUWING:

VERKEERD GEBRUIK of het niet navolgen van de voorschriften uit deze handleiding kan leiden tot ernstig persoonlijk letsel.

BESCHRIJVING VAN DE FUNCTIES

LET OP:

- Controleer altijd of het gereedschap is uitgeschakeld en de stekker uit het stopcontact is getrokken alvorens de functies van het gereedschap te controleren of af te stellen.

Instellen van de freesdiepte (zie afb. 1)

Leg het gereedschap op een vlakke ondergrond. Draai de vergrendelknop los en beweeg het gereedschap omlaag totdat het bit net de ondergrond raakt. Zet de vergrendelknop vast om het gereedschap te vergrendelen.

Draai de instelmoer van de aanslagstang linksom. Breng de aanslagstang omlaag tot deze de stelbout raakt. Lijn

de diepteaanwijzer uit met de 0 op de schaalverdeling. De freesdiepte wordt door de diepteaanwijzer aangegeven op de schaalverdeling.

Houd de sneltoevoerknop ingedrukt en breng de aanslagstang omhoog tot de gewenste freesdiepte is verkregen. Een uiterst nauwkeurige instelling is mogelijk door het instelwiel (1 mm per slag) te draaien. Draaide instelmoer van de aanslagstang rechtsom om de aanslagstang stevig vast te zetten. Nu kan uw vooraf bepaalde freesdiepte worden verkregen door de vergrendelknop los te zetten en daarna het gereedschap omlaag te brengen totdat de aanslagstang de zeskantstelbout van het aanslagblok raakt.

Nylonmoer (zie afb.2)

De bovenste begrenzing van het gereedschap kan worden afgesteld met behulp van de nylonmoer.

LET OP:

- Stel de nylonmoer niet te laag af. Het bit zal daardoor gevaarlijk uitsteken.

Aanslagblok (zie afb. 3)

Het aanslagblok heeft drie verstelbare zeskantbouten die per slag 0,8 mm hoger of lager worden. U kunt met behulp van deze verstelbare zeskantbouten eenvoudig drie verschillende freesdiepten instellen zonder de aanslagstang te hoeven verstellen.

Stel de laagste zeskantbout in op de grootste freesdiepte volgens de procedure beschreven onder De freesdiepte instellen.

Stel de twee resterende zeskantbouten in op minder grote freesdiepten. De verschillen in de hoogte van deze zeskantbouten zijn gelijk aan de verschillen in freesdiepte-instelling.

Draai de zeskantbouten met een schroevendraaier of steeksleutel om deze te verstellen. Het aanslagblok is tevens handig voor het uitvoeren van drie werkgangen met een steeds grotere freesdiepte-instelling voor het frezen van diepe groeven.

LET OP:

- Aangezien door buitensporig frezen de motor overbelast kan worden of het gereedschap moeilijk te besturen kan zijn, mag bij het frezen van groeven de freesdiepte niet meer dan 15 mm per werkgang bedragen bij het frezen met een bit van 8 mm diameter.
- Bij het frezen van groeven met een bit van 20 mm diameter mag de freesdiepte niet meer bedragen dan 5 mm per werkgang.
- Om dieper te frezen, freest u in twee of drie werkgangen met een steeds lager ingesteld bit.

In- en uitschakelen (zie afb. 4)

LET OP:

- Controleer altijd, voordat u de stekker in het stopcontact steekt, of de aan/uit-schakelaar op de juiste manier schakelt en weer terugkeert naar de uitstand nadat deze is losgelaten.
- Zorg ervoor dat de asvergrendeling is ontgrendeld voordat u het gereedschap inschakelt.

Om te voorkomen dat de aan/uit-schakelaar per ongeluk wordt bediend, is een vergrendelknop aangebracht.

Om het gereedschap te starten, drukt u de vergrendelknop in en knijpt u de aan/uit-schakelaar in.

Laat de aan/uit-schakelaar los om het gereedschap te stoppen

Om het gereedschap continu te laten werken, knijpt u de aan/uit-schakelaar in en drukt u vervolgens de vergrendelknop nog verder in. Om het gereedschap te stoppen, knijpt u de aan/uit-schakelaar in zodat de vergrendelknop automatisch ontgrendelt. Laat daarna de aan/uit-schakelaar los.

Nadat de aan/uit-schakelaar is losgelaten, treedt de vergrendeling weer in werking om te voorkomen dat de aan/uit-schakelaar wordt ingeknepen.

LET OP:

- Houd het gereedschap stevig vast wanneer u het uitschakelt om de reactiekracht op te vangen.

Elektronische aansturing

Alleen voor de modellen RP2300FC en RP2301FC

Constante-snelheidsregeling

- Maakt een onberispelijke afwerking mogelijk omdat de draaisnelheid zelfs onder belasting constant blijft.
- Bovendien, wanneer de belasting van het gereedschap het toelaatbare niveau overschrijdt, wordt de voeding naar de motor beperkt om te voorkomen dat deze oververhit raakt. Wanneer de belasting weer op een toelaatbaar niveau komt, zal het gereedschap weer normaal werken.

Zachte-startfunctie

- Maakt een zachte start mogelijk door onderdrukking van de startschok.

Snelheidsregelaar

Alleen voor de modellen RP2300FC en RP2301FC (zie afb. 5)

U kunt de snelheid van het gereedschap veranderen door de snelheidsregelaar te draaien en in te stellen op een cijfer van 1 tot 6.

De snelheid wordt hoger wanneer de snelheidsregelaar in de richting van 6 wordt gedraaid. De snelheid wordt lager wanneer de snelheidsregelaar in de richting van 1 wordt gedraaid.

Op deze manier kunt u de ideale snelheid selecteren voor een optimale bewerking van het materiaal, d.w.z. de snelheid kan worden aangepast overeenkomstig het materiaal en de diameter van het bit.

Raadpleeg de tabel voor de snelheid van het gereedschap in iedere stand van de snelheidsregelaar.

Cijfer	min ⁻¹
1	9.000
2	11.000
3	14.000
4	17.000
5	20.000
6	22.000

LET OP:

- Als het gereedschap gedurende een lange tijd op een lage snelheid gebruikt, raakt de motor overbelast, wat leidt tot een defect van het gereedschap.

- U kunt de snelheidsregelaar alleen tot aan het cijfer 6 draaien en terug naar 1. Forceer de schijf niet voorbij de 6 of de 1 omdat de snelheidsregeling daardoor onklaar raakt.

Het verlichten van de lampen

Alleen voor de modellen RP1800F, RP1801F, RP2300FC en RP2301FC (zie afb. 6)

LET OP:

- Kijk niet rechtstreeks in het licht of naar de bron van de lamp.

Knijp de aan/uit-schakelaar in om de lamp op de voorkant in te schakelen. De lamp blijft branden zolang u de aan/uit-schakelaar ingeknepen houdt.

De lamp gaat 10 tot 15 seconden nadat u de aan/uit-schakelaar hebt losgelaten uit.

OPMERKING:

- Gebruik een doek om het vuil van de lens van de lamp te vegen. Wees voorzichtig de lens van de lamp niet te bekrassen om de lichtopbrengst niet te verlagen.

ONDERDELEN AANBRENGEN/ VERWIJDEREN

LET OP:

- Controleer altijd of het gereedschap is uitgeschakeld en de stekker uit het stopcontact is getrokken alvorens enige werk aan het gereedschap uit te voeren.

De bit aanbrengen en verwijderen (zie afb. 7)

LET OP:

- Breng het bit stevig aan. Gebruik altijd de steeksleutel die bij het gereedschap werd geleverd. Een loszittend of te strak vastgezet bit kan gevaarlijk zijn.
- Gebruik altijd een spankegel die geschikt is voor de diameter van het bit.
- Draai de spankegelmoer niet vast zonder dat een bit is geplaatst, en plaats geen bits met een dunne schacht zonder een spankegelbus te gebruiken. Dit kan leiden tot het afbreken van de spankegel.
- Gebruik uitsluitend bovenfreesbits waarvan de maximumsnelheid, zoals aangegeven op het bit, niet hoger is dan de maximumsnelheid van de bovenfrees. Steek het bit zo ver mogelijk in de spankegel. Druk op de asvergrendeling zodat het bit niet meedraait en zet de spankegelmoer stevig vast met de steeksleutel. Als u bovenfreesbits met een kleinere diameter gebruikt, steekt u eerst een passende spankegelbus in de spankegel, en breng daarna het bit aan zoals hierboven beschreven. Om de bit te verwijderen de installatieprocedure volgen in de omgekeerde volgorde.

BEDIENING

LET OP:

- Controleer voordat u het gereedschap bedient of het gereedschap automatisch omhoog komt tot aan de bovenste begrenzing, en het bit niet uitsteekt tot onder de voet van het gereedschap nadat de vergrendelknop is losgezet.

- Controleer voordat u het gereedschap bedient of de krullenvanger goed is aangebracht (zie afb. 8).

Gebruik altijd beide handgrepen en houd het gereedschap tijdens gebruik stevig vast aan beide handgrepen.

Plaats eerst de voet van het gereedschap op het werkstuk dat u wilt frezen, zonder dat het bit het werkstuk raakt. Schakel vervolgens het gereedschap in en wacht totdat het bit op volle snelheid draait. Breng het gereedschap omlaag en beweeg het gereedschap voorwaarts over het oppervlak van het werkstuk. Houd daarbij de voet van het gereedschap vlak op het oppervlak van het werkstuk en beweegt het gereedschap gelijkmatig totdat het frezen klaar is.

Bij het frezen van de rand van het werkstuk moet het oppervlak van het werkstuk zich aan de linkerkant van het bit bevinden, gezien in de voortgangsrichting (zie afb. 9).

OPMERKING:

- Als u het gereedschap te snel voorwaarts beweegt, kan de snede van slechte kwaliteit zijn, of het bit of de motor worden beschadigd. Als u het gereedschap te langzaam voorwaarts beweegt, kan hierdoor de snede verbranden en lelijk worden. De juiste voortgangssnelheid is afhankelijk van de bitgrootte, het soort werkstuk en de freesdiepte. Alvorens in het eigenlijke werkstuk te werken, is het raadzaam eerst een proefsnede te maken in een stuk afvalhout. Zodoende kunt u precies zien hoe de snede eruit komt te zien en kunt u tevens de afmetingen controleren.
- Als u de langsgeleider of de trimgeleider gebruikt, zorgt u ervoor dat u deze langs de rechterkant aanbrengt, gezien in de voortgangsrichting. Hierdoor blijft deze gelijklopen met de zijkant van het werkstuk (zie afb. 10).

Langsgeleider (zie afb. 11)

De langsgeleider wordt gebruikt bij het rechtuit frezen van een schuine kant of groef.

Monteer de langsgeleider op de geleiderhouder met behulp van de klembout (B). Steek de geleiderhouder in de gaten in de voet van het gereedschap en draai de klembout (A) vast.

Om de afstand tussen het bit en de langsgeleider in te stellen, draait u de klembout (B) los en draait u de fijnregelschroef (1,5 mm per slag). Op de gewenste afstand, draai de klembout (B) vast om de langsgeleider op zijn plaats vast te zetten (zie afb. 12).

U kunt de werkbreedte van de langsgeleider naar wens vergroten door een extra stuk hout te bevestigen met behulp van de handige gaten in de langsgeleider (zie afb. 13).

Bij gebruik van een bit met een grote diameter, bevestigt u stukjes hout aan de langsgeleider met een dikte van meer dan 15 mm, om te voorkomen dat het bit de langsgeleider raakt.

Beweeg tijdens het frezen het gereedschap met de langsgeleider strak langs de zijkant van het werkstuk.

Als de afstand tussen de zijkant van het werkstuk en de freespositie te groot is voor de langsgeleider, of als de zijkant van het werkstuk niet recht is, kan de langsgeleider niet worden gebruikt. In dat geval klemt u een rechte lat op het werkstuk en gebruikt u deze als een trimmervoet om de voet van de bovenfrees langs te bewegen. Beweeg het gereedschap in de richting van de pijl (zie afb. 14).

Langsgeleider met fijnregeling (accessoire) (zie afb. 15)

Wanneer de bovenfrees is bevestigd

Steek de twee stangen (diameter 10 mm) in de buitenste bevestigingsgaten van de geleiderhouder en zet deze vast met behulp van de twee klemschroeven (M15 x 14 mm). Controleer en verzeker u ervan dat de vingermoer (M6 x 50 mm) stevig vastgedraaid is, en schuif daarna de voet van de bovenfrees over de twee stangen (diameter 10 mm) en draai tenslotte de twee klemschroeven op de voet van de bovenfrees aan.

Fijnregelfunctie om het bit nauwkeurig te plaatsen ten opzichte van de langsgeleider (zie afb. 16)

1. Draai de vingermoer (M6 x 50 mm) los.
2. Vingermoer (M10 x 52 mm) kan worden gedraaid om de plaats van het bit te veranderen (1 slag komt overeen met 1 mm verplaatsing).
3. Nadat de plaats van het bit nauwkeurig ingesteld is, draait u vingermoer (M6 x 50 mm) stevig vast.

De ring met de schaalverdeling erop kan los worden verdraaid, zodat de schaalverdeling op nul (0) kan worden gezet.

Breedte van de geleideschoenen veranderen

Draai de schroeven, die door de cirkels in de afbeelding worden aangegeven, los om de breedte van de geleideschoenen naar links en rechts in te stellen. Nadat de breedte is ingesteld, draait u de schroeven weer stevig vast. De breedte (d) van de geleideschoenen kan worden veranderd van 280 naar 350 mm (zie afb. 17 t/m 19).

Malgeleider (los verkrijgbaar) (zie afb. 20)

In de malgeleider zit een gat waar het bit doorheen steekt, waardoor het mogelijk wordt de bovenfrees met een mal te gebruiken.

Om de malgeleider aan te brengen, trekt u aan de borgplaatshendel en steekt u de malgeleider erin (zie afb. 21).

Bevestig de mal op het werkstuk. Plaats het gereedschap op de mal en beweeg het gereedschap terwijl de malgeleider langs de zijkant van de mal glijdt (zie afb. 22).

OPMERKING:

- Het werkstuk wordt gefreesd op een iets andere grootte dan de mal. Zorg voor de afstand (X) tussen het bit en de buitenrand van de malgeleider. De afstand (X) kan worden berekend met behulp van de volgende vergelijking:

$$\text{Afstand (X)} = (\text{buitendiameter van de malgeleider} - \text{diameter van het bit}) / 2$$

Trimgeleider (los verkrijgbaar) (zie afb. 23)

Trimmen, gebogen lijnen frezen in fineerhout voor meubels en dergelijke kunnen gemakkelijk worden gedaan met de trimgeleider. Het geleiderwiel rolt langs de

gebogen zijkant van het werkstuk en zorgt zo voor een nauwkeurige freeslijn.

Breng de trimgeleider aan op de geleiderhouder met behulp van de klembout (B). Steek de geleiderhouder in de gaten in de voet van het gereedschap en draai de klembout (A) vast.

Om de afstand tussen het bit en de trimgeleider in te stellen, draait u de klembout (B) los en draait u de fijnregelschroef (1,5 mm per slag). Draai de klembout (C) los om het geleiderwiel omhoog of omlaag te verstellen. Na het verstellen, draait u de klembout stevig vast (zie **afb. 24**).

Beweeg tijdens het frezen het gereedschap met het geleiderwiel strak langs de zijkant van het werkstuk (zie **afb. 25**).

Stofafzuigaansluitmond (accessoire) (zie **afb. 26**)

Om stof af te zuigen gebruikt u de stofafzuigaansluitmond. Breng de stofafzuigaansluitmond aan op de zool van het gereedschap door het uitsteeksel op de stofafzuigaansluitmond te passen in de inkeping in de zool van het gereedschap, en draai de vingerschroeven vast.

Sluit vervolgens de slang van een stofzuiger aan op de stofafzuigaansluitmond (zie **afb. 27**).

De bout M6 x 135 gebruiken om de freesdiepte in te stellen

Bij gebruik van het gereedschap op een speciale freestafel (verkrijgbaar in de winkel), kan de gebruiker deze bout gebruiken om een geringe mate van instelling van de freesdiepte te verkrijgen vanaf de bovenkant van de tafel (zie **afb. 28**).

1. De bout en ring aanbrengen op het gereedschap

- Plaats de platte ring op de bout.
- Steek de bout door het boutgat in de voet van het gereedschap en draai deze in het draadgat van de motorsteun op het gereedschap (zie **afb. 29 t/m 31**).

Breng op dat moment een beetje vet of smeerolie aan binnenin het boutgat in de voet van het gereedschap en in het draadgat in de motorsteun (zie **afb. 32 en 33**).

2. De freesdiepte instellen

- Een geringe mate van instelling van de freesdiepte kan worden verkregen door deze bout vanaf de bovenkant van de tafel met behulp van een schroevendraaier te draaien.
- Draai de bout rechtsom om de freesdiepte te vergroten, en draai de bout linksom om de freesdiepte te verlagen (zie **afb. 34**).

ONDERHOUD

LET OP:

- Zorg er altijd voor dat het gereedschap is uitgeschakeld en de stekker uit het stopcontact is getrokken, voordat u een inspectie of onderhoud uitvoert.

De koolborstels vervangen (zie **afb. 35**)

Verwijder en controleer de koolborstels regelmatig.

Vervang deze wanneer ze tot aan de slijtgrensmarkering zijn afgesleten. Houd de koolborstels schoon en zorg ervoor dat ze vrij kunnen bewegen in de houders. Beide koolborstels dienen tegelijkertijd te worden vervangen. Gebruik alleen identieke koolborstels. Gebruik een schroevendraaier om de koolborsteldoppen te verwijderen.

Haal de versleten koolborstels eruit, plaats de nieuwe erin, en zet de koolborsteldoppen goed vast (zie **afb. 36**). Nadat de koolborstels vervangen zijn, steekt u de stekker van het netsnoer in het stopcontact en laat u de koolborstels inlopen door het gereedschap gedurende 10 minuten onbelast te laten draaien. Test vervolgens de werking van de elektrische rem van het gereedschap door de aan/uit-schakelaar los te laten. Als de elektrische rem niet goed werkt, neemt u contact op met uw plaatselijke Makita-servicecentrum voor reparatie.

Om de VEILIGHEID en BETROUWBAARHEID van het gereedschap te handhaven, dienen alle reparaties, onderhoud en afstellingen te worden uitgevoerd door een erkend Makita-servicecentrum, en altijd met gebruikmaking van originele Makita-ervangingsonderdelen.

ACCESSOIRES

LET OP:

- Deze accessoires of hulpstukken worden aanbevolen voor gebruik met het Makita-gereedschap dat in deze gebruiksaanwijzing wordt beschreven. Het gebruik van andere accessoires of hulpstukken kan gevaar voor persoonlijk letsel opleveren. Gebruik de accessoires of hulpstukken uitsluitend voor de aangegeven gebruiksdoeleinden.

Mocht u meer informatie willen hebben over deze accessoires, dan kunt u contact opnemen met uw plaatselijke Makita-servicecentrum.

- Diverse groefbits
- Diverse afkantbits
- Diverse laminaattrimbits
- Langgeleider
- Trimgeleider
- Geleiderhouder
- Malgeleiders
- Malgeleideradapter
- Borgmoer
- Spankegel, 12 mm, 1/2"
- Spankegelbus, 6 mm, 8 mm, 10 mm
- Spankegelbus, 3/8", 1/4"
- Steeksleutel 24
- Stofafzuigaansluitmond

Bovenfreesbits

Vlakgroefbit (zie afb. 37)

mm

D	A	L 1	L 2
6	20	50	15
1/4"			
12	12	60	30
1/2"			
12	10	60	25
1/2"			
8	8	60	25
6			
6	8	50	18
1/4"			
6	6	50	18
1/4"			

U-groefbit (zie afb. 38)

mm

D	A	L 1	L 2	R
6	6	50	18	3

V-groefbit (zie afb. 39)

mm

D	A	L 1	L 2	θ
1/4"	20	50	15	90°

Afkantrimbit met boorpunt (zie afb. 40)

mm

D	A	L 1	L 2	L 3
12	12	60	20	35
8	8	60	20	35
6	6	60	18	28

Dubbele afkantrimbit met boorpunt (zie afb. 41)

mm

D	A	L 1	L 2	L 3	L 4
6	6	70	40	12	14

Plankverbindingsbit (zie afb. 42)

mm

D	A 1	A 2	L 1	L 2	L 3
12	38	27	61	4	20

Papegaaienbekbit (zie afb. 43)

mm

D	A 1	A 2	L 1	L 2	L 3	R
6	25	9	48	13	5	8
6	20	8	45	10	4	4

Afschuinbit (zie afb. 44)

mm

D	A	L 1	L 2	L 3	θ
6	23	46	11	6	30°
6	20	50	13	5	45°
6	20	49	14	2	60°

Kwartholprofielbit (zie afb. 45)

mm

D	A	L 1	L 2	R
6	20	43	8	4
6	25	48	13	8

Afkantrimbit met kogellager (zie afb. 46)

mm

D	A	L 1	L 2
6	10	50	20
1/4"			

Papegaaienbekbit met kogellager (zie afb. 47)

mm

D	A 1	A 2	L 1	L 2	L 3	R
6	15	8	37	7	3,5	3
6	21	8	40	10	3,5	6
1/4"	21	8	40	10	3,5	6

Afschuinbit met kogellager (zie afb. 48)

mm

D	A 1	A 2	L 1	L 2	θ
6	26	8	42	12	45°
1/4"					
6	20	8	41	11	60°

Kwartrondbit met kogellager (zie afb. 49)

mm

D	A 1	A 2	A 3	L 1	L 2	L 3	R
6	20	12	8	40	10	5,5	4
6	26	12	8	42	12	4,5	7

Kwartholprofielbit met kogellager (zie afb. 50)

mm

D	A 1	A 2	A 3	A 4	L 1	L 2	L 3	R
6	20	18	12	8	40	10	5,5	3
6	26	22	12	8	42	12	5	5

Ojiebit met kogellager (zie afb. 51)

mm

D	A 1	A 2	L 1	L 2	L 3	R1	R2
6	20	8	40	10	4,5	2,5	4,5
6	26	8	42	12	4,5	3	6

Voor modellen RP1800, RP1800F, RP1801**Alleen voor Europese landen****Geluid** ENG102-1

Het standaard A-gewogen geluidsniveau zoals vastgesteld conform EN60745-2-17:

Geluidsdruk niveau (L_{pA}): 86 dB (A)Geluidsvermogen niveau (L_{wA}): 97 dB (A)

Onzekerheid (K): 3 dB (A)

Draag oorbescherming**Trilling** ENG223-1

De totale trillingswaarde (triaxiale vectorsom) zoals

vastgesteld volgens EN60745-2-17:

Gebruikstoepassing: groeven frezen in MDF

Trillingsemissie (a_h): 4,0 m/s²Onzekerheid (K): 1,5 m/s²**Voor modellen RP2300FC en RP2301FC****Alleen voor Europese landen****Geluid** ENG102-1

Het standaard A-gewogen geluidsniveau zoals

vastgesteld conform EN60745-2-17:

Geluidsdruk niveau (L_{pA}): 87 dB (A)Geluidsvermogen niveau (L_{wA}): 98 dB (A)

Onzekerheid (K): 3 dB (A)

Draag oorbescherming**Trilling** ENG223-1

De totale trillingswaarde (triaxiale vectorsom) zoals

vastgesteld volgens EN60745-2-17:

Gebruikstoepassing: groeven frezen in MDF

Trillingsemissie (a_h): 4,5 m/s²Onzekerheid (K): 1,5 m/s²**EU-VERKLARING VAN CONFORMITEIT** ENH101-9**Modellen****RP1800, RP1800F, RP1801, RP2300FC, RP2301FC**

Wij verklaren onder eigen verantwoordelijkheid dat dit product voldoet aan de normen in de volgende documenten:

EN60745, EN55014 en EN61000 in overeenstemming met de richtlijnen van de Raad, 2004/108/EC en 98/37/EC.

CE2008Tomoyasu Kato
Directeur

Verantwoordelijke fabrikant:

Makita Corporation

3-11-8, Sumiyoshi-cho, Anjo, Aichi, JAPAN

Erkende vertegenwoordiger in Europa:

Makita International Europe Ltd.

Michigan Drive, Tongwell, Milton Keynes, Bucks MK15 8JD, ENGLAND

Descripción y visión general

- | | | |
|---|---|---|
| 1. Rueda de ajuste | 20. Dirección de avance | 38. Diámetro exterior de la guía de plantilla |
| 2. Palanca de bloqueo | 21. Guía recta | 39. Soporte de la guía |
| 3. Tuerca de ajuste de la varilla de tope | 22. Tornillo de ajuste preciso | 40. Tornillo de sujeción (C) |
| 4. Botón de avance rápido | 23. Tornillo de sujeción (B) | 41. Guía precisa |
| 5. Perno de ajuste | 24. Tornillo de sujeción (A) | 42. Rodillo guía |
| 6. Bloque de tope | 25. Soporte de la guía | 43. Boquilla de polvo |
| 7. Indicador de profundidad | 26. Más de 15 mm | 44. Tornillo de apriete |
| 8. Varilla de tope | 27. Madera | 45. Arandela plana 6 |
| 9. Tuerca de nylon | 28. Tornillos | 46. Tornillo M6 x 135 |
| 10. Perno de ajuste | 29. Móvil | 47. Orificio |
| 11. Botón de bloqueo | 30. Cuando se ajusta en el ancho de apertura mínimo | 48. Parte con rosca del soporte del motor |
| 12. Interruptor disparador | 31. Cuando se ajusta en el ancho de apertura máximo | 49. Interior del orificio para el tornillo de la base de la herramienta |
| 13. Dial de regulación de la velocidad | 32. Guía para plantilla | 50. Parte con rosca del soporte del motor |
| 14. Lámpara | 33. Placa de bloqueo | 51. Destornillador |
| 15. Bloqueo del eje | 34. Fresa | 52. Marca de límite |
| 16. Llave | 35. Base | 53. Tapa del portaescobillas |
| 17. Pieza de trabajo | 36. Plantilla | |
| 18. Dirección de giro de la fresa | 37. Distancia (X) | |
| 19. Vista desde la parte superior de la herramienta | | |

ESPECIFICACIONES

Modelo	RP1800/ RP1800F	RP1801/ RP1801F	RP2300FC	RP2301FC
Capacidad de boquilla	12 mm o 1/2"			
Capacidad de penetración	0 - 70 mm			
Velocidad en vacío (min ⁻¹)	22.000		9.000 - 22.000	
Longitud total	312 mm			
Peso neto	6,0 kg		6,1 kg	
Clase de seguridad	☐/II			

- Debido a nuestro programa continuo de investigación y desarrollo, las especificaciones aquí descritas están sujetas a cambios sin previo aviso.
- Nota: Las especificaciones pueden ser diferentes de un país a otro.
- Peso de acuerdo con el procedimiento EPTA 01/2003

Uso previsto

ENE010-1

La herramienta está diseñada para recortes y perfilados en madera, plástico y materiales similares.

Alimentación

ENF002-1

La herramienta debe conectarse solamente a una fuente de alimentación de la misma tensión que la indicada en la placa de características, y sólo puede funcionar con corriente alterna monofásica. El sistema de doble aislamiento de la herramienta cumple con las normas europeas y puede, por lo tanto, usarse también en tomacorrientes sin conductor de tierra.

NORMAS DE SEGURIDAD ESPECÍFICAS

GEB018-1

NO deje que la comodidad o la familiaridad con el producto (a base de utilizarlo repetidamente) sustituyan la estricta observancia de las normas de seguridad para la fresadora. Si utiliza esta

herramienta de forma no segura o incorrecta, puede sufrir graves daños corporales.

1. **Sujete las herramientas eléctricas por las superficies de agarre aisladas al realizar una operación en que la herramienta de corte pueda entrar en contacto con cables ocultos o con su propio cable.** Si entra en contacto con un cable con corriente, las piezas metálicas expuestas se cargarán también de corriente y el operario puede recibir una descarga.
2. **Utilice mordazas u otros medios de sujeción prácticos para sujetar y apoyar la pieza de trabajo en una plataforma estable.** Si sujeta la pieza de trabajo con la mano o contra el cuerpo, estará inestable y podrá ocasionar la pérdida de control.
3. **Utilice protectores para los oídos cuando use la herramienta de forma prolongada.**
4. **Manipule las fresas con mucho cuidado.**
5. **Antes de su uso, compruebe que la fresa no esté agrietada ni dañada. Las fresas agrietadas o dañadas deben sustituirse de inmediato.**

6. Evite cortar clavos. Antes de trabajar, inspeccione la pieza de trabajo y extraiga todos los clavos.
7. Sujete firmemente la herramienta con ambas manos.
8. Mantenga las manos alejadas de las partes giratorias.
9. Asegúrese de que la fresa no esté tocando la pieza de trabajo antes de activar el interruptor.
10. Antes de utilizar la herramienta en una pieza de trabajo, déjela en marcha durante unos instantes. Observe si se producen vibraciones u oscilaciones, puesto que son síntomas de que la fresa no se ha instalado correctamente.
11. Tenga presente en todo momento la dirección de giro de la fresa y la dirección de avance.
12. No deje la herramienta encendida. Póngala en marcha solamente cuando la tenga en las manos.
13. Apague la herramienta y espere siempre a que la fresa se haya parado completamente antes de retirar la herramienta de la pieza de trabajo.
14. No toque la fresa inmediatamente después de la tarea, ya que puede estar extremadamente caliente y producir quemaduras en la piel.
15. Procure no ensuciar la base de la herramienta con disolventes, gasolina, aceite o productos similares, ya que podrían producirse grietas en la base de la herramienta.
16. Utilice herramientas de corte del diámetro de vástago correcto y que se ajusten a la velocidad de la herramienta.
17. Algunos materiales contienen sustancias químicas que pueden ser tóxicas. Procure evitar la inhalación de polvo y el contacto con la piel. Siga los datos de seguridad del proveedor del material.
18. Utilice siempre la mascarilla antipolvo o la mascarilla de respiración adecuada para el material y la aplicación con que esté trabajando.

GUARDE ESTAS INSTRUCCIONES.

ADVERTENCIA:

El USO INDEBIDO y el incumplimiento de las normas de seguridad incluidas en este manual de instrucciones pueden provocar daños personales graves.

DESCRIPCIÓN DEL FUNCIONAMIENTO

PRECAUCIÓN:

- Asegúrese siempre de que la herramienta esté apagada y desenchufada antes de intentar realizar cualquier tipo de ajuste o comprobación en ella.

Ajuste de la profundidad de corte (Fig. 1)

Coloque la herramienta en una superficie plana. Afloje la palanca de bloqueo y baje el cuerpo de la herramienta hasta que la fresa toque la superficie plana. Apriete la palanca de bloqueo para bloquear el cuerpo de la herramienta.

Gire la tuerca de ajuste de la varilla de tope en el sentido contrario a las agujas de reloj. Baje la varilla de tope hasta que establezca contacto con el perno de ajuste.

Alinee el indicador de profundidad con la graduación 0. La profundidad de corte se indica en la escala mediante el indicador de profundidad.

Mientras presiona el botón de avance rápido, levante la varilla de tope hasta obtener la profundidad de corte deseada. Se pueden obtener ajustes de profundidad muy pequeños girando la rueda de ajuste (1 mm por giro).

Al girar la tuerca de ajuste de la varilla de tope en el sentido de las agujas del reloj puede sujetar la varilla de tope firmemente.

Ahora se puede obtener la profundidad de corte predeterminada aflojando la palanca de bloqueo y después bajando el cuerpo de la herramienta hasta que la varilla de tope establece contacto con el perno hexagonal de ajuste del bloque de tope.

Tuerca de nylon (Fig. 2)

El límite superior del cuerpo de la herramienta se puede ajustar girando la tuerca de nylon.

PRECAUCIÓN:

- No baje la tuerca de nylon demasiado. La fresa sobresaldrá peligrosamente.

Bloque de tope (Fig. 3)

El bloque de tope tiene tres pernos de ajuste hexagonales que suben o bajan 0,8 mm por giro. Puede obtener fácilmente tres profundidades de corte diferentes usando esos pernos de ajuste hexagonales sin reajustar la varilla de tope.

Ajuste el perno hexagonal inferior para obtener la profundidad de corte mayor, siguiendo el método de ajuste de la profundidad de corte.

Ajuste los dos pernos hexagonales restantes para obtener profundidades de corte inferiores. Las diferencias de altura de esos pernos hexagonales son iguales a las diferencias de profundidad de corte.

Para ajustar los pernos hexagonales, gírelos con un destornillador o una llave. El bloque de tope también es útil para realizar tres pasadas con ajustes de profundidad progresivamente mayores cuando abra ranuras profundas.

PRECAUCIÓN:

- Dado que un corte excesivo podrá causar sobrecarga al motor o dificultad en el control de la herramienta, la profundidad de corte no deberá exceder los 15 mm por pasada cuando abra ranuras con una fresa de 8 mm de diámetro.
- Cuando abra ranuras con una fresa de 20 mm de diámetro la profundidad de corte no debe ser superior a 5 mm en una pasada.
- Para realizar operaciones de abertura de ranuras de profundidad adicional, realice dos o tres pasadas con ajustes de profundidad progresivamente mayores.

Funcionamiento del interruptor (Fig. 4)

PRECAUCIÓN:

- Antes de enchufar la herramienta, asegúrese de que el interruptor disparador funcione como es debido y de que vuelva a la posición OFF al soltarlo.
- Asegúrese de que el bloqueo del eje esté suelto antes de encender el interruptor.

Para evitar que el interruptor disparador se accione accidentalmente se proporciona un botón de bloqueo.

Para poner en marcha la herramienta, presione el botón de bloqueo y tire del disparador del interruptor. Suelte el interruptor disparador para detener la herramienta. Para un uso continuo, accione el interruptor disparador y después pulse más el botón de bloqueo. Para detener la herramienta, accione el interruptor disparador para que el botón de bloqueo vuelva automáticamente. A continuación, suelte el disparador. Tras soltar el interruptor disparador, la función de bloqueo impedirá que se accione el interruptor disparador.

PRECAUCIÓN:

- Sujete firmemente la herramienta cuando la apague para controlar su reacción.

Función electrónica

Para los modelos RP2300FC, RP2301FC solamente

Control de velocidad constante

- Permite obtener un acabado preciso, porque la velocidad de rotación se mantiene a un nivel constante incluso en caso de que haya carga.
- Adicionalmente, cuando la carga de la herramienta sobrepasa los niveles admisibles, se reduce la potencia del motor para protegerlo del sobrecalentamiento. Cuando la carga vuelva a niveles admisibles, la herramienta funcionará con normalidad.

Característica de inicio lento

- Elimina la sacudida inicial.

Dial de regulación de la velocidad

Para los modelos RP2300FC, RP2301FC solamente (Fig. 5)

La velocidad de la herramienta se puede cambiar girando el dial de ajuste de velocidad hasta un número específico, del 1 al 6.

Se obtiene una velocidad superior cuando se gira el dial en la dirección del número 6 y se obtiene una velocidad inferior cuando se gira en la dirección del número 1. Esto permite seleccionar la velocidad ideal para el procesamiento óptimo del material, es decir, la velocidad se puede ajustar correctamente para que sea adecuada para el material y el diámetro de la fresa.

Consulte la tabla siguiente para ver la relación entre el número del dial y la velocidad de la herramienta aproximada.

Número	min ⁻¹
1	9.000
2	11.000
3	14.000
4	17.000
5	20.000
6	22.000

PRECAUCIÓN:

- Si la herramienta se utiliza constantemente a baja velocidad durante un tiempo prolongado, el motor se sobrecargará y la herramienta dejará de funcionar correctamente.

- El dial de regulación de la velocidad puede girarse hasta 6 y de vuelta hasta 1 solamente. No lo fuerce más allá de 6 ó 1, o la función de ajuste de velocidad podrá dejar de funcionar.

Encender las lámparas

Para los modelos RP1800F, RP1801F, RP2300FC, RP2301FC solamente (Fig. 6)

PRECAUCIÓN:

- No mire hacia la luz ni mire directamente hacia la fuente de luz.

Tire del interruptor disparador para encender la luz. La luz permanece encendida mientras se acciona el interruptor disparador.

La luz se apaga entre 10 y 15 segundos después de soltar el disparador.

NOTA:

- Utilice un paño seco para limpiar la suciedad de la lente de la lámpara. Tenga cuidado de no rayar la lente de la lámpara, ya que se podría reducir su capacidad de iluminación.

MONTAJE

PRECAUCIÓN:

- Asegúrese siempre de que la herramienta esté apagada y desenchufada antes de intentar realizar cualquier trabajo en ella.

Instalación o extracción de la broca (Fig. 7)

PRECAUCIÓN:

- Instale la fresa de forma segura. Utilice únicamente las llaves de ajuste suministradas con la herramienta. Una fresa floja o demasiado apretada puede ser peligrosa.
- Utilice siempre una boquilla que sea adecuada para el diámetro de vástago de la fresa.
- No apriete la tuerca de la boquilla sin insertar una fresa ni instale fresas de vástago pequeño sin utilizar un adaptador para la boquilla. Puede provocar una rotura del cono de la boquilla.
- Utilice solamente fresas para la fresadora cuya velocidad máxima, indicada en la fresa, no exceda la velocidad máxima de la fresadora.

Inserte la fresa completamente en el cono de la boquilla. Pulse el bloqueo del eje para que no se mueva el eje y utilice la llave para apretar firmemente la tuerca de la boquilla. Cuando utilice fresas de la fresadora con un diámetro de eje inferior, inserte primero el adaptador de boquilla adecuado en el cono de la boquilla y, a continuación, instale la fresa como se describe más arriba.

Para extraer la fresa, siga el procedimiento de instalación en orden inverso.

MANEJO

PRECAUCIÓN:

- Antes del uso, asegúrese siempre de que el cuerpo de la herramienta se levante hasta el límite superior y la fresa no sobresalga de la base de la herramienta cuando se afloje la palanca de bloqueo.

- Antes del uso, asegúrese siempre de que el deflector de virutas esté instalado correctamente. (Fig. 8)

Utilice siempre ambas empuñaduras y sujete firmemente la herramienta por las dos empuñaduras durante las operaciones.

Coloque la base de la herramienta sobre la pieza de trabajo que debe cortarse sin que la fresa realice ningún contacto. A continuación, encienda la herramienta y espere hasta que la fresa alcance la velocidad máxima. Baje el cuerpo de la herramienta y mueva la herramienta hacia delante sobre la superficie de la pieza de trabajo, manteniendo la base de la herramienta nivelada y avance suavemente hasta completar el corte.

Cuando corte molduras de canto, la superficie de la pieza de trabajo deberá quedar a la izquierda de la fresa con respecto a la dirección de corte. (Fig. 9)

NOTA:

- Si avanza la herramienta demasiado rápidamente el corte no será preciso y podrá dañar la fresa o el motor. Si avanza muy lentamente puede quemar la madera y echar a perder el corte. La velocidad de corte apropiada dependerá del tamaño de la fresa, tipo de pieza de trabajo y profundidad de corte. Antes de iniciar el corte en la pieza de trabajo real, se recomienda realizar un corte de muestra en una pieza de madera de desecho. De esta forma podrá comprobar el resultado exacto del corte y también las dimensiones.
- Cuando utilice la guía recta o la guía precisa, asegúrese de instalarla a la derecha de la dirección de corte. Esto ayudará a mantener la guía contra el canto de la pieza de trabajo. (Fig. 10)

Guía recta (Fig. 11)

La guía recta se utiliza de forma eficaz para cortes rectos durante operaciones de achaflanado o ranurado.

Instale la guía recta en el soporte la guía con el tornillo de apriete (B). Inserte el soporte de la guía en los orificios de la base de la herramienta y apriete el tornillo de apriete (A).

Para ajustar la distancia entre la fresa y la guía recta, afloje el tornillo de apriete (B) y gire el tornillo de ajuste fino (1,5 mm por giro). Cuando haya conseguido la distancia deseada, apriete el tornillo de sujeción (B) para asegurar la guía recta en su lugar. (Fig. 12)

Se puede crear una guía recta más ancha de las dimensiones deseadas utilizando los orificios de la guía para fijar piezas de madera adicionales. (Fig. 13)

Cuando utilice una fresa de gran diámetro, acople piezas de madera a la guía recta con un grosor de más de 15 mm para evitar que la fresa golpee la guía recta.

Cuando realice un corte, mueva la herramienta con la guía recta bien asentada en el lateral de la pieza de trabajo.

Si la distancia entre el lateral de la pieza de trabajo y la posición de corte es demasiado ancha para la guía recta o si el lado de la pieza no es recto, no se puede utilizar la guía recta. En ese caso, sujete firmemente una plancha recta a la pieza de trabajo y utilícela como guía contra la base de la fresadora. Haga avanzar la herramienta en la dirección de la flecha. (Fig. 14)

Ajuste fino de la guía recta (accesorio) (Fig. 15)

Cuando la fresadora está montada

Inserte las dos varillas (Varilla 10) en las ranuras de montaje externas del soporte de la guía y fijelas apretando los dos tornillos de apriete (M15 x 14 mm). Asegúrese de que la tuerca de apriete manual esté apretada (M6 x 50 mm) y, a continuación, deslice la unidad de montaje de la base de la fresadora en las dos varillas (varilla 10) y apriete los tornillos de apriete de la base.

Función de ajuste fino para la colocación de la fresa en relación con la guía recta (Fig. 16)

1. Afloje la tuerca de apriete manual (M6 x 50 mm).
2. La tuerca de apriete manual (M10 x 52 mm) se puede girar para ajustar la posición (un giro ajusta la posición 1 mm).
3. Tras completar el ajuste de la posición, apriete la tuerca de apriete manual (M6 x 50 mm) hasta que esté bien fijada.

La anilla de escala se puede girar por separado, de forma que se puede alinear con el cero (0).

Modificación del ancho de la zapata de guía

Afloje los tornillos marcados con círculos para modificar el ancho de la zapata de guía en las direcciones izquierda y derecha.

Tras modificar el ancho, apriete los tornillos hasta que estén bien fijados. El rango de modificación del ancho de la zapata de guía (d) es de 280 mm a 350 mm. (Fig. 17 - 19)

Guía para plantilla (accesorio opcional) (Fig. 20)

La guía para plantilla tiene una acanaladura por la cual pasa la fresa, permitiendo usar la herramienta con diversos patrones de plantilla.

Para instalar la guía para plantilla, tire de la palanca de bloqueo e inserte la guía para plantilla. (Fig. 21)

Asegure la plantilla en la pieza de trabajo. Ponga la herramienta sobre la plantilla y mueva la herramienta con la guía para plantilla deslizándose a lo largo del canto de la plantilla. (Fig. 22)

NOTA:

- El tamaño del corte realizado en la pieza de trabajo variará ligeramente con respecto a la plantilla. Cuento con una tolerancia para la distancia (X) entre la fresa y la parte exterior de la guía para plantilla. La distancia (X) se puede calcular mediante la siguiente ecuación:
Distancia (X) = (diámetro exterior de la guía para plantilla - diámetro de la fresa) / 2

Guía precisa (accesorio opcional) (Fig. 23)

Los ornamentos, cortes curvos en chapas de madera para muebles y otros objetos similares pueden realizarse fácilmente con la guía precisa. Los rodillos guía siguen la curva y aseguran un corte preciso.

Instale la guía precisa en el soporte la guía con el tornillo de apriete (B). Inserte el soporte de la guía en los orificios de la base de la herramienta y apriete el tornillo de apriete (A).

Para ajustar la distancia entre la fresa y la guía precisa, afloje el tornillo de apriete (B) y gire el tornillo de ajuste fino (1,5 mm por giro). Cuando ajuste el rodillo guía hacia arriba o hacia abajo, afloje el tornillo de apriete (C).

Tras ajustar, apriete todos los tornillos de apriete firmemente. (Fig. 24)

Al cortar, mueva la herramienta con el rodillo guía rodando sobre el canto de la pieza de trabajo. (Fig. 25)

Conjunto de boquilla de polvo (Accesorio) (Fig. 26)

Utilice la boquilla de polvo para la extracción del polvo. Instale la boquilla de polvo en la base de la herramienta utilizando el tornillo de apriete manual de forma que el saliente de la boquilla de polvo encaje en la muesca de la base de la herramienta.

A continuación, conecte una aspiradora a la boquilla de polvo. (Fig. 27)

Cómo utilizar un tornillo M6 x 135 para ajustar la profundidad de corte

Cuando utilice la herramienta con una mesa para fresadoras disponible en el mercado, el uso de este tornillo permite a un operario obtener un pequeño ajuste de la profundidad de corte desde encima de la mesa. (Fig. 28)

1. Instalación del tornillo y de la arandela en la herramienta

- Coloque la arandela plana en este tornillo.
- Inserte este tornillo a través de un orificio para tornillos de la base de la herramienta y, a continuación, atornille la parte con rosca en el soporte del motor de la herramienta. (Fig. 29 a 31)

En ese momento, aplique grasa o aceite lubricante al interior del orificio para el tornillo de la base de la herramienta y la parte con rosca del soporte del motor. (Fig. 32 y 33)

2. Ajuste de la profundidad de corte

- Se puede obtener una pequeña profundidad de corte girando este tornillo con un destornillador desde encima de la mesa. (1,0 mm por un giro completo)
- Si lo gira en el sentido de las agujas del reloj la profundidad de corte será superior y si lo gira en el sentido contrario a las agujas del reloj, será menor. (Fig. 34)

MANTENIMIENTO

PRECAUCIÓN:

- Asegúrese siempre de que la herramienta esté apagada y desenchufada antes de intentar realizar cualquier trabajo de inspección o mantenimiento en ella.

Reemplazo de las escobillas de carbón (Fig. 35)

Extraiga y compruebe las escobillas de carbón regularmente.

Cámbielas cuando el desgaste alcance la marca de límite. Mantenga las escobillas de carbón limpias y de forma que entren libremente en los portaescobillas.

Ambas escobillas de carbón deberán ser sustituidas al mismo tiempo. Utilice únicamente escobillas de carbón idénticas.

Utilice un destornillador para extraer las tapas de los portaescobillas.

Saque las escobillas de carbón desgastadas, introduzca las nuevas y cierre las tapas de los portaescobillas.

(Fig. 36)

Tras sustituir las escobillas, enchufe la herramienta y permita que las escobillas se asienten haciendo funcionar la herramienta sin carga durante unos 10 minutos. A continuación compruebe la herramienta durante el uso y el funcionamiento del freno eléctrico cuando suelta el interruptor disparador. Si el freno eléctrico no funciona bien, pida a su centro de reparaciones Makita local que repare la herramienta.

Para conservar la SEGURIDAD y la FIABILIDAD del producto, los trabajos de reparación y otros trabajos de mantenimiento y ajuste deberán ser realizados en centros de servicio autorizados de Makita, utilizando siempre repuestos Makita.

ACCESORIOS

PRECAUCIÓN:

- Se recomienda el uso de estos accesorios o complementos con la herramienta Makita especificada en este manual. El uso de otros accesorios o complementos puede conllevar el riesgo de ocasionar daños corporales. Utilice los accesorios o complementos solamente para su fin establecido.

Si necesita cualquier ayuda para obtener más información relativa a estos accesorios, pregunte al centro de servicio Makita local.

- Fresas rectas y ranuradoras
- Fresas canteadoras
- Fresas laminadoras
- Guía recta
- Guía precisa
- Soporte de la guía
- Guías para plantilla
- Adaptador de guía de plantilla
- Contratuerca
- Cono de la boquilla 12 mm, 1/2"
- Adaptador de la boquilla 6 mm, 8 mm, 10 mm
- Adaptador de la boquilla 3/8, 1/4"
- Llave 24
- Conjunto de vacío

Fresas de la fresadora

Fresa recta (Fig. 37)

mm			
D	A	L 1	L 2
6	20	50	15
1/4"			
12	12	60	30
1/2"			
12	10	60	25
1/2"			
8	8	60	25
6			
6	8	50	18
1/4"			
6	6	50	18
1/4"			

Fresa ranuradora en U (Fig. 38)

mm				
D	A	L 1	L 2	R
6	6	50	18	3

Fresa ranuradora en V (Fig. 39)

mm				
D	A	L 1	L 2	θ
1/4"	20	50	15	90°

Fresa simple para paneles (Fig. 40)

mm				
D	A	L 1	L 2	L 3
12	12	60	20	35
8	8	60	20	35
6	6	60	18	28

Fresa doble para paneles (Fig. 41)

mm					
D	A	L 1	L 2	L 3	L 4
6	6	70	40	12	14

Fresa para juntas de paneles (Fig. 42)

mm					
D	A 1	A 2	L 1	L 2	L 3
12	38	27	61	4	20

Fresa para redondeado de cantos (Fig. 43)

mm						
D	A 1	A 2	L 1	L 2	L 3	R
6	25	9	48	13	5	8
6	20	8	45	10	4	4

Fresa biseladora (Fig. 44)

mm					
D	A	L 1	L 2	L 3	θ
6	23	46	11	6	30°
6	20	50	13	5	45°
6	20	49	14	2	60°

Fresa para moldurar (Fig. 45)

mm				
D	A	L 1	L 2	R
6	20	43	8	4
6	25	48	13	8

Fresa simple para paneles con rodamiento (Fig. 46)

mm			
D	A	L 1	L 2
6	10	50	20
1/4"			

Fresa para redondeado de cantos con rodamiento (Fig. 47)

mm						
D	A 1	A 2	L 1	L 2	L 3	R
6	15	8	37	7	3,5	3
6	21	8	40	10	3,5	6
1/4"	21	8	40	10	3,5	6

Fresa biseladora con rodamiento (Fig. 48)

mm					
D	A 1	A 2	L 1	L 2	θ
6	26	8	42	12	45°
1/4"					
6	20	8	41	11	60°

Fresa para moldurar con rodamiento (Fig. 49)

mm							
D	A 1	A 2	A 3	L 1	L 2	L 3	R
6	20	12	8	40	10	5,5	4
6	26	12	8	42	12	4,5	7

Fresa para moldurar con rodamiento (cóncavo) (Fig. 50)

mm								
D	A 1	A 2	A 3	A 4	L 1	L 2	L 3	R
6	20	18	12	8	40	10	5,5	3
6	26	22	12	8	42	12	5	5

Fresa para moldurar con rodamiento (convexo) (Fig. 51)

mm							
D	A 1	A 2	L 1	L 2	L 3	R1	R2
6	20	8	40	10	4,5	2,5	4,5
6	26	8	42	12	4,5	3	6

Para los modelos RP1800, RP1800F, RP1801
Sólo para los países europeos

Ruido ENG102-1

Nivel de ruido típico de ponderación A establecido según
EN60745-2-17:

Nivel de presión de sonido (L_{pA}): 86 dB (A)

Nivel de potencia de sonido (L_{WA}): 97 dB (A)

Incertidumbre (K): 3 dB (A)

Utilice protección para los oídos

Vibración NEG223-1

Valor total de la vibración (suma de vectores triaxiales)

determinada según el estándar EN60745-2-17:

Modo de trabajo: corte de ranuras en tablero de

fibras de densidad media

Emisión de vibraciones (a_h): 4,0 m/s²

Incertidumbre (K): 1,5 m/s²

Para los modelos RP2300FC, RP2301FC

Sólo para los países europeos

Ruido ENG102-1

Nivel de ruido típico de ponderación A establecido según
EN60745-2-17:

Nivel de presión de sonido (L_{pA}): 87 dB (A)

Nivel de potencia de sonido (L_{WA}): 98 dB (A)

Incertidumbre (K): 3 dB (A)

Utilice protección para los oídos

Vibración ENG223-1

Valor total de la vibración (suma de vectores triaxiales)

determinada según el estándar EN60745-2-17:

Modo de trabajo: corte de ranuras en tablero de

fibras de densidad media

Emisión de vibraciones (a_h): 4,5 m/s²

Incertidumbre (K): 1,5 m/s²

DECLARACIÓN DE CONFORMIDAD DE LA CE

ENH101-9

Modelo;

RP1800, RP1800F, RP1801, RP2300FC, RP2301FC

Declaramos bajo nuestra exclusiva responsabilidad que
este producto cumple con los siguientes estándares de
documentos estandarizados;

EN60745, EN55014, EN61000 de acuerdo con las
directivas del Consejo, 2004/108/CE, 98/37/CE.

CE2008



Tomoyasu Kato
Director

Fabricante responsable:

Makita Corporation

3-11-8, Sumiyoshi-cho, Anjo, Aichi, JAPÓN

Representante autorizado en Europa:

Makita International Europe Ltd.

Michigan Drive, Tongwell, Milton Keynes, Bucks MK15
8JD, REINO UNIDO

PORTUGUÊS

Descrição geral

- | | | |
|---|---|--|
| 1. Manípulo de ajuste | 20. Direcção de alimentação | 38. Diâmetro externo da guia de escantilhão |
| 2. Alavanca de bloqueio | 21. Guia recta | 39. Suporte da guia |
| 3. Porca de bloqueio da haste de bujão | 22. Parafuso de afinação | 40. Parafuso de fixação (C) |
| 4. Botão de alimentação rápida | 23. Parafuso de fixação (B) | 41. Guia de aparador |
| 5. Parafuso de ajuste | 24. Parafuso de fixação (A) | 42. Rolo guia |
| 6. Bloco de bujão | 25. Suporte da guia | 43. Bico de pó |
| 7. Indicador de profundidade | 26. Mais de 15 mm | 44. Parafuso de fixação |
| 8. Haste de bujão | 27. Madeira | 45. Anilha plana 6 |
| 9. Porca de nylon | 28. Parafusos | 46. Parafuso M6 x 135 |
| 10. Parafuso de ajuste | 29. Móvel | 47. Orifício |
| 11. Botão de bloqueio | 30. Quando regulado para largura de abertura mínima | 48. Peça roscada no suporte do motor |
| 12. Gatilho | 31. Quando regulado para largura de abertura máxima | 49. Interior do orifício do parafuso na base da ferramenta |
| 13. Manípulo de regulação da velocidade | 32. Guia de modelos | 50. Peça roscada no suporte do motor |
| 14. Lâmpada | 33. Placa de bloqueio | 51. Chave de parafusos |
| 15. Bloqueio do veio | 34. Broca | 52. Marca limite |
| 16. Chave | 35. Base | 53. Tampa do porta-escovas |
| 17. Peça de trabalho | 36. Escantilhão | |
| 18. Direcção de rotação da broca | 37. Distância (X) | |
| 19. Ferramenta vista de cima | | |

ESPECIFICAÇÕES

Modelo	RP1800/ RP1800F	RP1801/ RP1801F	RP2300FC	RP2301FC
Capacidade da pinça de aperto	12 mm ou 1/2"			
Capacidade de imersão	0 - 70 mm			
Velocidade de rotação sem carga (mín. ⁻¹)	22.000		9.000 - 22.000	
Comprimento total	312 mm			
Peso líquido	6,0 kg		6,1 kg	
Classe de segurança	II/III			

- Devido à pesquisa e desenvolvimento constantes, estas especificações estão sujeitas a alteração sem aviso prévio.
- Nota: estas especificações podem diferir de país para país.
- Peso de acordo com o procedimento EPTA de 01/2003

Utilização prevista ENE010-1

A ferramenta destina-se a recorte e perfilagem de madeira, plástico e materiais semelhantes.

Fonte de alimentação ENF002-1

A ferramenta apenas deve ser ligada a uma fonte de alimentação da mesma tensão que a indicada na chapa de especificações, e apenas pode funcionar com uma alimentação CA monofásica. Estão blindadas duplamente, de acordo com a Norma Europeia e podem, assim, ser igualmente utilizadas em tomadas sem fio terra.

REGRAS DE SEGURANÇA ESPECÍFICAS

GEB018-1

NÃO deixe que o progressivo à-vontade com o produto (resultante de uma utilização frequente) o faça esquecer o estrito cumprimento das regras de segurança para a funcionalidade da fresadora. Se utilizar a ferramenta incorrectamente ou não respeitar as regras de segurança, poderá ferir-se gravemente.

1. **Quando executar operações em que acessórios de corte possam entrar em contacto com fios eléctricos ocultos ou com próprio cabo eléctrico da ferramenta, tenha o cuidado de tocar apenas nas superfícies isoladas desses acessórios.** O contacto com um fio eléctrico ligado à corrente pode electrificar as peças de metal da ferramenta e provocar um choque.
2. **Utilize grampos ou outra forma prática de fixar e suportar a peça de trabalho a uma plataforma estável.** Segurar a peça com a mão ou contra o corpo deixa-a instável e poderá provocar a perda de controlo.
3. **Use protecção para os ouvidos se utilizar a ferramenta durante um longo período.**
4. **Manuseie as brocas com muito cuidado.**
5. **Verifique cuidadosamente se a broca apresenta fissuras ou danos, antes de utilizar.** Substitua imediatamente uma broca rachada ou danificada.
6. **Evite cortar pregos.** Verifique a existência e retire todos os pregos da peça de trabalho, antes de utilizar a ferramenta.

7. **Segure a ferramenta com firmeza, com as duas mãos.**
8. **Afasto as mãos das peças em movimento.**
9. **Certifique-se de que a broca não está em contacto com a peça de trabalho antes de ligar o interruptor.**
10. **Antes de utilizar a ferramenta numa peça de trabalho, deixe-a a trabalhar durante algum tempo. Verifique a existência de vibrações ou abanões que possam indicar uma broca incorrectamente instalada.**
11. **Tome atenção à direcção de rotação da broca e direcção de alimentação.**
12. **Não abandone a ferramenta a funcionar. Ponha-a a funcionar apenas quando estiver a segurá-la.**
13. **Desligue sempre e aguarde que a broca pare completamente antes de remover a ferramenta da peça de trabalho.**
14. **Não toque na broca logo após a operação uma vez que pode estar demasiado quente e provocar queimaduras.**
15. **Não espalhe diluente, gasolina, óleo ou líquidos semelhantes na base da ferramenta. Isto poderá provocar fissuras na base da ferramenta.**
16. **Deve utilizar cortadores com o diâmetro correcto da haste e que sejam adequados para a velocidade da ferramenta.**
17. **Alguns materiais contêm químicos que podem ser tóxicos. Tenha cuidado para evitar a inalação e o contacto da pele com o pó produzido. Obedeça às instruções de segurança do fornecedor do material.**
18. **Use sempre a máscara contra o pó/respirador correctos para o material e aplicação em que está a trabalhar.**

GUARDE ESTAS INSTRUÇÕES.

AVISO:

USO IMPRÓPRIO ou não cumprimento das regras de segurança expressas neste manual de instruções pode causar ferimentos pessoais sérios.

DESCRIÇÃO DO FUNCIONAMENTO

PRECAUÇÃO:

- Certifique-se sempre de que a ferramenta está desligada no interruptor e da tomada antes de proceder a ajustes ou testes à mesma.

Regular a profundidade de corte (Fig. 1)

Coloque a ferramenta sobre uma superfície lisa. Desaperte a alavanca de bloqueio e baixe o corpo da ferramenta até a broca tocar levemente na superfície lisa. Aperte a alavanca de bloqueio até prender o corpo da ferramenta.

Rode a porca de bloqueio da haste de bujão no sentido contrário ao dos ponteiros do relógio. Baixe a haste de bujão até fazer contacto com o parafuso de ajuste. Alinhe o indicador de profundidade com a graduação 0. A profundidade de corte é indicada na escala pelo indicador de profundidade.

Enquanto carrega no botão de alimentação rápida, desloque a haste de bujão para cima até obter a profundidade de corte desejada. Poderá obter ajustes de profundidade diminuindo rodando o manípulo de ajuste (1 mm em cada volta).

Rodando a porca de bloqueio da haste de bujão no sentido dos ponteiros do relógio, pode apertar a haste de bujão com firmeza.

Agora, a profundidade de corte predeterminada pode ser obtida desapertando a alavanca de bloqueio e baixando o corpo da ferramenta até a haste de bujão fazer contacto com o perno sextavado de ajuste do bloco de batente.

Porca de nylon (Fig. 2)

O limite superior do corpo da ferramenta pode ser ajustado rodando a porca de nylon.

PRECAUÇÃO:

- Não baixe demais a porca de nylon. A broca ficará saliente, o que pode constituir um perigo.

Bloco de batente (Fig. 3)

O bloco de batente tem três pernos sextavados de ajuste que se deslocam para cima ou para baixo 0,8 mm em cada volta. Pode facilmente obter três profundidades de corte diferentes utilizando estes pernos sextavados de ajuste sem reajustar a haste de batente.

Ajuste o perno sextavado inferior para obter a maior profundidade de corte, seguindo o método de Ajustar a profundidade do corte.

Ajuste os dois pernos sextavados restantes para obter profundidades de corte mais superficiais. As diferenças na altura destes pernos sextavados são iguais às diferenças nas profundidades de corte.

Para ajustar os pernos sextavados, rode-os com uma chave de parafusos ou outra chave. O bloco de bujão é também cómodo para efectuar três passagens com regulação da broca cada vez mais profunda ao cortar ranhuras profundas.

PRECAUÇÃO:

- Uma vez que o corte excessivo pode causar sobrecarga do motor ou dificuldade em controlar a ferramenta, a profundidade de corte não deve exceder os 15 mm com uma passagem ao cortar ranhuras com uma broca de 8 mm.
- Ao cortar ranhuras com uma broca de 20 mm de diâmetro, a profundidade do corte não deve exceder os 5 mm com uma passagem.
- Para operações de ranhuração especialmente profundas, efectue duas ou três passagens com regulação da broca cada vez mais profunda.

Ação do interruptor (Fig. 4)

PRECAUÇÃO:

- Antes de inserir a ficha da ferramenta na tomada, verifique se o gatilho está a funcionar correctamente e se volta à posição OFF quando o solta.
- Certifique-se de que o bloqueio do veio foi libertado antes de ligar o interruptor.

Para evitar que o gatilho seja acidentalmente puxado, é fornecido um botão de bloqueio.

Para iniciar a ferramenta, pressione o botão de bloqueio e puxe o gatilho. Para parar a ferramenta, solte o gatilho.

Para um funcionamento contínuo, puxe o gatilho e pressione o botão de bloqueio. Para parar a ferramenta, puxe o gatilho do interruptor para que o botão de bloqueio regresse automaticamente. Depois, solte o gatilho do interruptor.

Após soltar o gatilho do interruptor, a função de bloqueio funciona para evitar que o gatilho do interruptor seja puxado.

PRECAUÇÃO:

- Segure a ferramenta com firmeza ao desligar a ferramenta, de forma a dominar a reacção.

Função electrónica

Apenas para o modelo RP2300FC, RP2301FC

Controlo de velocidade constante

- É possível obter um acabamento fino, uma vez que a velocidade de rotação é mantida constante, mesmo em condições de carga.
- Além disso, quando a carga da ferramenta excede os níveis permitidos, a alimentação para o motor é reduzida para proteger o motor contra o sobreaquecimento. Assim que a carga retomar os níveis permitidos, a ferramenta funcionará de modo normal.

Funcionalidade de arranque suave

- Arranque suave devido à eliminação do choque de arranque.

Manípulo de regulação da velocidade

Apenas para o modelo RP2300FC, RP2301FC (Fig. 5)

A velocidade da ferramenta pode ser alterada ao rodar o manípulo de regulação da velocidade para uma determinada definição de número de 1 a 6.

Uma velocidade mais elevada é obtida quando o manípulo é rodado na direcção do número 6. E uma velocidade mais baixa é obtida quando é rodado na direcção do número 1.

Tal permite a selecção da velocidade ideal para trabalhar o material em condições excelentes, isto é, a velocidade pode ser correctamente ajustada de acordo com o material e o diâmetro da broca.

Consulte a tabela para conhecer a relação entre as definições de números no selector e a velocidade da ferramenta aproximada.

Número	min ⁻¹
1	9.000
2	11.000
3	14.000
4	17.000
5	20.000
6	22.000

PRECAUÇÃO:

- Se a ferramenta fica em funcionamento contínuo a velocidades baixas por muito tempo, o motor fica sobrecarregado causando avaria no equipamento.
- O manípulo de regulação da velocidade apenas pode ser rodado até 6 ou 1. Não o force para lá de 6 ou 1,

caso contrário a função de regulação da velocidade poderá deixar de funcionar.

Acender as lâmpadas

Apenas para o modelo RP1800F, RP1801F, RP2300FC, RP2301FC (Fig. 6)

PRECAUÇÃO:

- Não olhe directamente para a luz da ferramenta. Para a acender, prima o gatilho. A lâmpada manter-se-á acesa enquanto o gatilho for premido. 10 a 15 segundos depois de o gatilho ser solto, a luz apaga-se.

NOTA:

- Use um pano seco para limpar a sujidade da lente da lâmpada. Tenha cuidado para não riscar a lente da lâmpada, pois tal poderá reduzir a iluminação.

MONTAGEM

PRECAUÇÃO:

- Certifique-se sempre de que a ferramenta está desligada no interruptor e da tomada antes de efectuar qualquer trabalho na mesma.

Instalar ou retirar a broca (Fig. 7)

PRECAUÇÃO:

- Instale a broca firmemente. Utilize apenas a chave fornecida com a ferramenta. Uma broca solta ou demasiado apertada pode ser perigosa.
- Utilize sempre uma manga de suporte adequada para o diâmetro da haste da broca.
- Não aperte a porca da manga sem inserir uma broca nem instale hastes de broca pequenas sem utilizar uma manga de suporte. Tal poderá conduzir à quebra do cone da manga.
- Utilize apenas brocas de fresadora cuja velocidade máxima, consoante indicado na broca, não exceda a velocidade máxima da fresadora.

Insira totalmente a broca no cone da manga. Carregue no bloqueio do veio para manter o veio estacionário e utilize a chave para apertar a porca da manga firmemente. Ao utilizar brocas de fresadora com um diâmetro de haste mais pequeno, insira primeiramente a manga de suporte adequada no cone da manga e, de seguida, instale a broca conforme descrito acima.

Para remover a broca, siga o procedimento inverso de instalação.

FUNCIONAMENTO

PRECAUÇÃO:

- Antes de utilizar a ferramenta, certifique-se de que o corpo desta se eleva automaticamente para o limite superior e que a broca não fica saliente da base da ferramenta quando a alavanca de bloqueio é solta.
- Antes de utilizar, certifique-se sempre de que o deflector de aparas está devidamente instalado. (Fig. 8)

Utilize sempre ambas as pegas e segure a ferramenta com firmeza durante as operações.

Defina a base da ferramenta na peça de trabalho a cortar, sem que a broca faça qualquer contacto. De seguida, ligue a ferramenta e aguarde até que a broca atinja a

velocidade máxima. Baixe o corpo da ferramenta e mova a ferramenta para a frente sobre a superfície da peça de trabalho, mantendo a base da ferramenta encostada e avançando suavemente até o corte estar completo. Ao cortar bordos, a superfície da peça de trabalho deve estar no lado esquerdo da broca, na direcção de alimentação. (Fig. 9)

NOTA:

- A deslocação da ferramenta para a frente de forma demasiado rápida pode resultar num corte de má qualidade ou danificar a broca ou motor. A deslocação da ferramenta para a frente de forma demasiado lenta pode queimar e estragar o corte. A velocidade de alimentação adequada vai depender do tamanho da broca, do tipo de peça de trabalho e da profundidade do corte. Antes de iniciar o corte na peça de trabalho, é aconselhável efectuar um corte de amostra num pedaço de desperdício de madeira. Tal irá mostrar o aspecto exacto do corte, assim como permitir a verificação das dimensões.
- Ao utilizar a guia recta ou a guia de aparador, certifique-se de que a instala no lado direito da direcção de alimentação. Tal irá ajudar a mantê-la encostada à lateral da peça de trabalho. (Fig. 10)

Guia recta (Fig. 11)

A guia recta é utilizada para cortes rectos ao chanfrar ou ranhurar.

Instale a guia recta no suporte da guia com o parafuso de fixação (B). Insira o suporte da guia nos orifícios na base da ferramenta e aperte o parafuso de fixação (A).

Para ajustar a distância entre a broca e a guia recta, solte o parafuso de fixação (B) e rode o parafuso de regulação fino (1,5 mm por volta). Na distância desejada, aperte o parafuso de fixação (B) para fixar a guia recta no devido local. (Fig. 12)

É possível alargar a guia recta para as dimensões pretendidas, utilizando os orifícios convenientes existentes na guia para prender, com pernos, pedaços adicionais de madeira. (Fig. 13)

Quando utiliza uma broca com grande diâmetro, prenda à guia recta pedaços de madeira que tenham mais de 15 mm, para impedir que a broca bata na guia recta.

Quando cortar, mova a ferramenta com a guia recta encostada ao lado da peça de trabalho.

Se a distância entre a lateral da peça de trabalho e a posição de corte for demasiado grande para a guia recta, ou se a lateral da peça de trabalho não for recta, não será possível utilizar a guia recta. Neste caso, prenda firmemente uma prancha recta à peça de trabalho e utilize-a como guia contra a base de aparador. Alimente a ferramenta na direcção da seta. (Fig. 14)

Ajuste fino da guia recta (acessório) (Fig.15)

Quando a fresadora está montada

Introduza as duas hastes (Haste 10) nas ranhuras de montagem exteriores do suporte da guia e fixe-as apertando os dois parafusos de fixação (M15 x 14 mm). Certifique-se de que a porca de orelhas (M6 x 50 mm) está apertada e, de seguida, deslize a unidade de montagem da base da fresadora nas duas hastes (Haste 10) e aperte os parafusos de fixação da base.

Função de ajuste fino para posicionar a lâmina em relação à guia recta (Fig. 16)

- Desaperte a porca de orelhas (M6 x 50 mm).
- A porca de orelhas (M10 x 52 mm) pode ser rodada para ajustar a posição (uma volta ajusta a posição em 1 mm).
- Após concluir o ajuste de posição, aperte a porca de orelhas (M6 x 50 mm) até estar fixa.

O anel de escala pode ser rodado em separado, de forma a que a unidade de escala possa ser alinhada para zero (0).

Alteração da largura da guia

Desaperte os parafusos marcados pelos círculos para alterar a largura da guia para a esquerda e para a direita. Após alterar a largura, aperte os parafusos até estarem fixos. O intervalo de alteração da largura da guia (d) é de 280 mm a 350 mm. (Fig. 17 - 19)

Guia de escantilhão (acessório opcional) (Fig. 20)

O guia de escantilhão fornece uma manga através da qual passa a broca, permitindo a utilização da ferramenta com padrões de escantilhão.

Para instalar a guia de escantilhão, puxe a alavanca da placa de bloqueio e insira a guia de escantilhão. (Fig. 21) Fixe o escantilhão à peça de trabalho. Coloque a ferramenta no escantilhão e desloque-a com a guia de escantilhão deslizando pelo lado do escantilhão. (Fig. 22)

NOTA:

- A peça de trabalho será cortada num tamanho ligeiramente diferente do escantilhão. Permita a distância (X) entre a broca e o exterior da guia de escantilhão. A distância (X) pode ser calculada utilizando a seguinte equação:
Distância (X) = (diâmetro externo da guia de escantilhão - diâmetro da broca) / 2

Guia de aparador (acessório opcional) (Fig. 23)

Recortes, cortes curvos em entalhes para mobília e peças semelhantes, podem ser facilmente efectuados com a guia de aparador. O rolo guia conduz a curva e garante um corte fino.

Instale a guia de aparador no suporte da guia com o parafuso de fixação (B). Insira o suporte da guia nos orifícios na base da ferramenta e aperte o parafuso de fixação (A).

Para ajustar a distância entre a broca e a guia de aparador, solte o parafuso de fixação (B) e rode o parafuso de regulação fino (1,5 mm por volta). Ao ajustar o rolo guia para cima ou para baixo, desaperte o parafuso de fixação (C).

Após ajustar, aperte todos os parafusos de fixação firmemente. (Fig. 24)

Quando cortar, mova a ferramenta com o rolo guia a conduzir o lado da peça de trabalho. (Fig. 25)

Regulação do bico do pó (Acessório) (Fig. 26)

Utilize o bico do pó para a extracção do pó. Monte o bico do pó na base da ferramenta utilizando o parafuso de

orelhas, de forma a que a saliência do bico do pó encaixe na base da ferramenta.

De seguida, ligue um aspirador ao bico do pó. (Fig. 27)

Como utilizar o parafuso M6 x 135 para ajustar a profundidade do corte

Quando utilizar a ferramenta com uma mesa de fresar disponível comercialmente, utilize este operador para efectuar um ajuste fino da profundidade de corte a partir da parte superior da mesa. (Fig. 28)

1. Montar o parafuso e a anilha na ferramenta

- Coloque a anilha plana neste parafuso.
- Insira este parafuso através do respectivo orifício na base da ferramenta e, de seguida, aperte a parte roscada no suporte do motor da ferramenta. (Fig. 29 - 31)

Neste momento, aplique alguma massa lubrificante ou óleo de lubrificação no interior do orifício do parafuso na base da ferramenta e a parte roscada no suporte do motor. (Fig. 32 e 33)

2. Regular a profundidade de corte

- Pode ser obtido um valor pequeno de profundidade de corte, rodando este parafuso com uma chave de fendas, a partir da parte superior da mesa. (1,0 mm por uma rotação completa)
- Rodá-lo para a direita torna a profundidade de corte superior e rodá-lo para a esquerda, menor. (Fig. 34)

MANUTENÇÃO

PRECAUÇÃO:

- Certifique-se sempre de que a ferramenta está desligada no interruptor e da tomada antes de inspeccionar ou fazer a manutenção da ferramenta.

Substituir as escovas de carvão (Fig. 35)

Remova e verifique regularmente as escovas de carvão. Substitua-as quando o desgaste atingir a marca limite. Mantenha-as limpas para poderem deslizar no porta-escovas.

Substitua as duas ao mesmo tempo. Utilize unicamente escovas de carvão idênticas.

Utilize uma chave de parafusos para remover as tampas do porta-escovas.

Retire as escovas usadas, coloque umas novas e fixe as tampas do porta-escovas. (Fig. 36)

Depois de substituir as escovas, ligue a ferramenta à tomada e experimente as escovas, fazendo funcionar a ferramenta sem carga durante cerca de 10 minutos.

Depois verifique a ferramenta enquanto estiver em funcionamento, bem como o travão eléctrico ao soltar o gatilho. Se este não funcionar devidamente, solicite que seja reparado ao seu centro de assistência local Makita. Para manter os níveis de SEGURANÇA e FIABILIDADE definidos para este produto, as reparações e os procedimentos de manutenção ou ajustes devem ser executados por centros de assistência Makita autorizados, utilizando sempre peças de substituição Makita.

ACESSÓRIOS

PRECAUÇÃO:

- Os seguintes acessórios ou extensões são os recomendados para utilizar com a ferramenta Makita especificada neste manual. A utilização de outros acessórios ou extensões podem provocar ferimentos. Utilize cada acessório ou extensão apenas para o fim indicado.

Se precisar de informações adicionais relativas aos acessórios, contacte o centro local de assistência Makita.

- Brocas rectas e de formação de ranhuras
- Brocas de formação de contornos
- Brocas de recorte laminado
- Guia recta
- Guia de aparador
- Suporte da guia
- Guias de escantilhão
- Adaptador de guias de escantilhão
- Porca de bloqueio
- Cone de manga de 12 mm ou 1/2"
- Manga de 6 mm, 8 mm, 10 mm
- Manga de 3/8", 1/4"
- Chave 24
- Conjunto de cabeça para aspirador

Brocas de fresar

Broca recta (Fig. 37)

mm

D	A	L 1	L 2
6	20	50	15
1/4"			
12	12	60	30
1/2"			
12	10	60	25
1/2"			
8	8	60	25
6	8	50	18
1/4"			
6	6	50	18
1/4"			

Broca de ranhura em U (Fig. 38)

mm

D	A	L 1	L 2	R
6	6	50	18	3

Broca de ranhura em V (Fig. 39)

mm

D	A	L 1	L 2	θ
1/4"	20	50	15	90°

Broca de ponto de recorte (Fig. 40)

mm

D	A	L 1	L 2	L 3
12	12	60	20	35
8	8	60	20	35
6	6	60	18	28

Broca de duplo ponto de recorte (Fig. 41)

mm

D	A	L 1	L 2	L 3	L 4
6	6	70	40	12	14

Broca de união de placas (Fig. 42)

mm

D	A 1	A 2	L 1	L 2	L 3
12	38	27	61	4	20

Broca de arredondar cantos (Fig. 43)

mm

D	A 1	A 2	L 1	L 2	L 3	R
6	25	9	48	13	5	8
6	20	8	45	10	4	4

Broca de chanfragem (Fig. 44)

mm

D	A	L 1	L 2	L 3	θ
6	23	46	11	6	30°
6	20	50	13	5	45°
6	20	49	14	2	60°

Broca de reentrâncias (Fig. 45)

mm

D	A	L 1	L 2	R
6	20	43	8	4
6	25	48	13	8

Broca de ponto de recorte de esfera (Fig. 46)

mm

D	A	L 1	L 2
6	10	50	20
1/4"			

Broca em esfera para arredondamento de cantos (Fig. 47)

mm

D	A 1	A 2	L 1	L 2	L 3	R
6	15	8	37	7	3,5	3
6	21	8	40	10	3,5	6
1/4"	21	8	40	10	3,5	6

Broca em esfera de chanfragem (Fig. 48)

mm

D	A 1	A 2	L 1	L 2	θ
6	26	8	42	12	45°
1/4"					
6	20	8	41	11	60°

Broca em esfera de reentrâncias (Fig. 49)

mm

D	A 1	A 2	A 3	L 1	L 2	L 3	R
6	20	12	8	40	10	5,5	4
6	26	12	8	42	12	4,5	7

Broca em esfera de reentrâncias (Fig. 50)

mm

D	A 1	A 2	A 3	A 4	L 1	L 2	L 3	R
6	20	18	12	8	40	10	5,5	3
6	26	22	12	8	42	12	5	5

Broca em esfera Roman Ogee (Fig. 51)

mm

D	A 1	A 2	L 1	L 2	L 3	R1	R2
6	20	8	40	10	4,5	2,5	4,5
6	26	8	42	12	4,5	3	6

Para os modelos RP1800, RP1800F, RP1801**Apenas para os países europeus****Ruído**

ENG102-1

Os níveis acústicos ponderados A típicos foram determinados segundo a EN60745-2-17:

Nível de pressão sonora (L_{pA}): 86 dB (A)

Nível de potência sonora (L_{WA}): 97 dB (A)

Imprecisão (K): 3 dB (A)

Use protecção para os ouvidos**Vibração**

NEG223-1

O valor total da vibração (soma triaxial de vectores) foi determinado segundo a EN60745-2-17:

Modo de trabalho: corte de ranhuras em MDF

Emissão de vibração (a_{h1}): 4,0 m/s²

Imprecisão (K): 1,5 m/s²

Para os modelos RP2300FC, RP2301FC**Apenas para os países europeus****Ruído**

ENG102-1

Os níveis acústicos ponderados A típicos foram determinados segundo a EN60745-2-17:

Nível de pressão sonora (L_{pA}): 87 dB (A)

Nível de potência sonora (L_{WA}): 98 dB (A)

Imprecisão (K): 3 dB (A)

Use protecção para os ouvidos**Vibração**

NEG223-1

O valor total da vibração (soma triaxial de vectores) foi determinado segundo a EN60745-2-17:

Modo de trabalho: corte de ranhuras em MDF

Emissão de vibração (a_{h1}): 4,5 m/s²

Imprecisão (K): 1,5 m/s²

Modelo;

RP1800, RP1800F, RP1801, RP2300FC, RP2301FC

Declaramos, sob a nossa única responsabilidade, que

este produto está em conformidade com as seguintes

normas de documentos normalizados;

EN60745, EN55014, EN61000 em conformidade com as

Directivas do Conselho, 2004/108/EC, 98/37/EC.

CE2008



Tomoyasu Kato
Administrador

Fabricante responsável:

Makita Corporation

3-11-8, Sumiyoshi-cho, Anjo, Aichi, JAPÃO

Representante autorizado na Europa:

Makita International Europe Ltd.

Michigan Drive, Tongwell, Milton Keynes, Bucks MK15

8JD, INGLATERRA

Forklaring til generel oversigt

1. Justeringsknap	20. Fremførselsretning	38. Udvendig diameter på kopiringen
2. Låsehåndtag	21. Parallelslag	39. Anslagholder
3. Indstillingsmøtrik til anslagsstang	22. Finjusteringssskrue	40. Fastgørelsesskrue (C)
4. Hurtig-indstillingsknap	23. Fastgørelsesskrue (B)	41. Rulleanslag
5. Justeringsbolt	24. Fastgørelsesskrue (A)	42. Anslagsrulle
6. Anslagsblok	25. Anslagholder	43. Støvdyse
7. Dybdeangiver	26. Mere end 15 mm	44. Fastgørelsesskrue
8. Anslagsstang	27. Træ	45. Underlagsskive 6
9. Nylonmøtrik	28. Skruer	46. Skrue M6 x 135
10. Justeringsbolt	29. Indstillelig	47. Hul
11. Låseknop	30. Når sat til minimum åbningsvidde	48. Gevindell i motorholderen
12. Afbryderkontakt	31. Når sat til maksimum åbningsvidde	49. Indersiden af skruhullet i værktøjets basis.
13. Drejeknap til hastighedsjustering	32. Kopiring	50. Gevindell i motorholderen
14. Lampe	33. Sikringsblik	51. Skruetrækker
15. Spindellås	34. Fræseværktøj	52. Slidgrænse
16. Skruenøgle	35. Basis	53. Kulholderdæksel
17. Arbejdsemne	36. Skabelon	
18. Fræseværktøjets omløbsretning	37. Afstand (X)	
19. Set ovenfra		

SPECIFIKATIONER

Model	RP1800/ RP1800F	RP1801/ RP1801F	RP2300FC	RP2301FC
Spændepatronens kapacitet	12 mm eller 1/2"			
Sænkekapaцитet	0 - 70 mm			
Hastighed uden belastning (min ⁻¹)	22.000		9.000 - 22.000	
Længde i alt	312 mm			
Nettovægt	6,0 kg		6,1 kg	
Sikkerhedsklasse	II/II			

- På grund af vores løbende forsknings- og udviklingsprogram kan specifikationerne heri ændres uden forudgående varsel.
- Bemærk: Specifikationerne kan variere fra land til land.
- Vægt i henhold til EPTA-Procedure 01/2003

Tilsigtet anvendelse

ENE010-1

Værktøjet er beregnet til kanfræsning og profilering af træ, plastic og lignende materialer.

Strømforsyning

ENF002-1

Værktøjet bør kun slutes til en strømforsyning med den spænding, der er angivet på mærkepladen, og det kan kun benyttes med enkeltfasnet vekselstrøm. Det er dobbelt isoleret i overensstemmelse med europæisk standard og kan derfor også slutes til stikkontakter uden jordforbindelse.

SPECIFIKKE SIKKERHEDSREGLER

GEB018-1

LAD IKKE tryghed eller kendskab til produktet (på grund af gentagen brug) betyde, at du ikke strengt overholder sikkerhedsreglerne for overfræsningen. Hvis værktøjet anvendes på usikker eller forkert vis, kan du komme alvorligt til skade.

1. Hold maskiner i de isolerede gribeflader, når du udfører arbejde, hvor skæreværktøjet kan komme i kontakt med skjulte ledninger eller værktøjets

egen ledning. Ved kontakt med en strømførende ledning bliver udsatte metaldele på værktøjet strømførende, hvorved operatøren kan få elektrisk stød.

2. **Benyt skruetvinger eller en anden praktisk metode til at fastgøre og understøtte arbejdsemnet på et solidt underlag.** Hvis du holder emnet i hånden eller mod kroppen, bliver det ustabil, og du risikerer at miste kontrollen over det.
3. **Bær høreværn ved længerevarende brug.**
4. **Håndter fræseværktøjerne yderst forsigtigt.**
5. **Efterse fræseværktøjet omhyggeligt for revner eller beskadigelse før brugen. Udskift øjeblikkeligt revnede eller beskadigede fræseværktøjer.**
6. **Undgå at skære i søm. Se efter, og fjern alle søm fra arbejdsemnet før arbejdet.**
7. **Hold godt fast i værktøjet med begge hænder.**
8. **Hold hænderne på afstand af roterende dele.**
9. **Sørg for, at fræseværktøjet ikke har kontakt med arbejdsemnet, før der er tændt på afbryderkontakten.**
10. **Lad værktøjet køre et stykke tid, før det benyttes på et arbejdsemne. Se efter vibration eller slinger,**

der kan tyde på, at fræseværktøjet er monteret forkert.

11. Vær opmærksom på fræseværktøjets rotationsretning og fremførselsretningen.
12. Gå ikke fra værktøjet, mens det kører. Lad kun værktøjet køre, mens du holder det i hænderne.
13. Sluk altid for værktøjet, og vent, til fræseværktøjet er helt i ro, før du løfter værktøjet fra arbejdsområdet.
14. Berør ikke fræseværktøjet umiddelbart efter brugen. Det kan være meget varmt og kan forårsage forbrændinger af huden.
15. Tilsmuds ikke værktøjets basis uforsigtigt med fortynder, benzin, olie eller lignende. Det kan forårsage revner i værktøjets basis.
16. Vær opmærksom på, at der skal anvendes skær med den rigtige skaftdiameter, som passer til værktøjets hastighed.
17. Nogle materialer indeholder kemikalier, som kan være giftige. Undgå at indånde støv eller at få det på huden. Følg sikkerhedsinstruktionerne fra leverandøren af materialerne.
18. Anvend altid korrekt støvmaske/ åndedrætsbeskyttelse til det materiale og formål, du arbejder med.

GEM DISSE INSTRUKTIONER.

ADVARSEL:

MISBRUG eller manglende overholdelse af sikkerhedsreglerne i denne brugsanvisning kan medføre alvorlig personskade.

FUNKTIONSBESKRIVELSE

FORSIGTIG:

- Sørg altid for, at værktøjet er slukket, og at stikket er taget ud af stikkontakten, før du justerer værktøjet eller kontrollerer dets funktion.

Indstilling af fræsedybden (Fig. 1)

Placer værktøjet på en plan overflade. Løsn låsehåndtaget og sænk værktøjshuset indtil fræseværktøjet lige akkurat rører ved det plane underlag. Spænd låsehåndtaget til for at låse værktøjshuset fast. Drej anslagsstangens indstillingsmøtrik mod urets retning. Sænk anslagsstangen indtil den rører ved den justeringsbolt. Juster dybdeangiveren ind på 0 gradangivelsen. Fræsedybden angives på skalaen med dybdeangiveren.

Mens du trykker på hurtig-indstillingsknappen, skal du hæve anslagsstangen, indtil den ønskede fræsedybde er opnået. Du kan finindstille dybden ved at dreje på justeringsknappen (1 mm pr. omdrejning).

Ved at dreje på anslagsstangens indstillingsmøtrik kan du fastgøre anslagsstangen ordentligt.

Nu kan du opnå den forudbestemte fræsedybde ved at løse låsehåndtaget og derefter sænke værktøjshuset, indtil anslagsstangen får kontakt med anslagsblokkens justeringsbolt.

Nylonmøtrik (Fig. 2)

Værktøjshusets øvre grænse kan justeres ved at dreje på nylonmøtrikken.

FORSIGTIG:

- Undlad at sænke nylonmøtrikken for meget. Fræseværktøjet kommer til at stikke farligt langt ud.

Anslagsblok (Fig. 3)

Anslagsblokken har tre justeringsbolte, der hæves eller sænkes 0,8 mm pr. drejning. Du kan nemt opnå tre forskellige fræsedybder vha. disse justeringsbolte uden at omjustere anslagsstangen.

Justér den nederste bolt for at opnå den dybeste fræsedybde ved at følge metoden under Justering af fræsedybden.

Justér de to resterende bolte for at opnå mindre fræsedybder. Forskellene i højden på disse bolte svarer til forskellene i fræsedybderne.

Drej boltene med en skruetrækker eller en skrueøgler for at justere boltene. Anslagsblokken er også praktisk ved udførsel af tre bearbejdnings med stadig dybere dybdeindstillinger af fræseværktøjet ved fræsning af dybe noter.

FORSIGTIG:

- Eftersom overdreven fræsedybde kan forårsage overbelastning af motoren, eller besvær med at kontrollere værktøjet, bør fræsedybden ikke være mere end 15 mm ved en bearbejdning, når der fræses noter med et 8 mm diameter fræseværktøj.
- Fræsedybden ved notfræsning med et fræseværktøj på 20 mm i diameter bør ikke være mere end 5 mm pr. bearbejdning.
- Derfor skal der ved ekstra dyb notbearbejdning gennemføres to eller tre bearbejdnings med gradvist dybere fræsedybder.

Betjening af afbryderkontakten (Fig. 4)

FORSIGTIG:

- Før værktøjet tilsluttes, skal du altid kontrollere, at afbryderkontakten reagerer korrekt og vender tilbage til OFF-stillingen, når du slipper den.
- Sørg for, at spindellåsen er frigjort, inden kontakten tændes.

Værktøjet er udstyret med en sikringsknap for at forhindre, at afbryderkontakten trækkes op ved et uheld. Værktøjet startes ved at trykke sikringsknappen ind og trække i afbryderkontakten. Slip afbryderkontakten for at stoppe værktøjet.

Hvis værktøjet skal bruges i længere tid ad gangen, skal du trykke på afbryderkontakten og derefter trykke låseknappen ind. For at stoppe værktøjet skal du trække i afbryderkontakten, sådan at låseknappen automatisk går tilbage. Slip derefter afbryderkontakten.

Når du har sluppet afbryderkontakten, aktiveres aflåsningsfunktionen for at forhindre, at afbryderkontakten trækkes ind.

FORSIGTIG:

- Hold godt fast i værktøjet når du slukker for det, sådan at du kan styre reaktionen.

Elektronisk funktionalitet

Kun for model **RP2300FC, RP2301FC**

Styring af konstant hastighed

- Det er muligt at få en pæn finish, fordi omdrejningshastigheden holdes konstant, også under belastning.
- Desuden reduceres strømmen til motoren, hvis belastningen af værktøjet overskrider den tilladelige værdi, for at beskytte motoren mod overophedning. Når belastningen igen bliver tilladelig, fungerer værktøjet som normalt.

Funktion til blød start

- Blød start, fordi startvibrationen dæmpes.

Drejeknap til hastighedsjustering

Kun for model **RP2300FC, RP2301FC (Fig. 5)**

Værktøjshastigheden kan ændres ved at dreje drejeknappen til hastighedsjustering hen på en fast nummerindstilling fra 1 til 6.

Der opnås en højere hastighed ved at dreje knappen mod tallet 6, og der opnås en lavere hastighed ved at dreje knappen i retning af tallet 1.

Dette giver mulighed for at vælge den ideelle hastighed for optimal bearbejdning, dvs. at hastigheden kan tilpasses nøjagtigt til materialet og fræseværktøjets diameter.

Se i tabellen angående forholdet mellem nummerindstillingerne på drejeknappen og værktøjets omtrentlige omdrejningshastighed.

Antal	min ⁻¹
1	9.000
2	11.000
3	14.000
4	17.000
5	20.000
6	22.000

FORSIGTIG:

- Hvis værktøjet anvendes i længere tid ved lav hastighed, overbelastes motoren, og det kan medføre funktionsfejl på værktøjet.
- Drejeknappen til hastighedsjustering kan kun drejes op til 6 og tilbage til 1. Prøv ikke at tvinge den forbi 6 eller 1, da hastighedsjusteringen ellers kan gå i stykker.

Tænding af lamperne

Kun for model **RP1800F, RP1801F, RP2300FC, RP2301FC (Fig. 6)**

FORSIGTIG:

- Se ikke direkte ind i lyset eller lyskilden. Træk i afbryderkontakten for at tænde lampen. Lampen forbliver tændt, så længe der trækkes i afbryderkontakten. Lampen slukkes 10 - 15 sekunder efter, at afbryderkontakten slippes.

BEMÆRK:

- Benyt en tør klud til at tørre snavs af lampens linse. Pas på ikke at ridse lampens linse, da det kan mindske lysstyrken.

MONTERING

FORSIGTIG:

- Sørg altid for, at værktøjet er slukket og taget ud af stikkontakten, før du udfører nogen form for arbejde på værktøjet.

Montering og afmontering af fræseværktøjet (Fig. 7)

FORSIGTIG:

- Monter fræseværktøjet ordentligt. Brug kun den skrueøgle, der blev leveret med værktøjet. Et løst eller overspændt fræseværktøj kan være farligt.
- Brug altid en patron der passer til fræseværktøjets skaftdiameter.
- Stram ikke spændemøtrikken uden at indsætte et fræseværktøj eller installer fræseværktøjer med små skafter vha. en spændepatronkrave. Ellers kan det medføre, at spændepatronen brækker.
- Brug kun overfræseværktøjer hvor den maksimale hastighed, der er angivet på fræseværktøjet, overstiger maksimale hastighed på overfræseren.

Sæt fræseværktøjet helt ind i spændepatronen. Tryk på spindellåsen for at holde spindlen stille og brug skrueøglen til at stramme spændemøtrikken ordentligt med. Når der anvendes overfræseværktøjer med en mindre skaftdiameter, skal du først indsætte den rigtige spændepatronkrave ind i spændepatronen og derefter montere fræseværktøjet som beskrevet ovenfor. Følg fremgangsmåden til montering i omvendt rækkefølge for at afmontere fræseværktøjet.

BETJENING

FORSIGTIG:

- Inden anvendelse skal du altid sikre dig, at værktøjshuset automatisk stiger op til den øverste grænse, og at fræseværktøjet ikke rager ud fra værktøjets basis, når låsehåndtaget løsnes.
 - Inden anvendelse skal du altid sørge for, at spåndefaktoren er korrekt installeret. (Fig. 8)
- Anvend altid begge greb og hold ordentligt fast i værktøjet ved hjælp af begge greb under arbejde.
- Placer værktøjets basis på det arbejdsemne, der skal skæres i, uden at fræseværktøjet berører arbejdsemnet. Tænd derefter for værktøjet, og vent, indtil fræseværktøjet når fuld hastighed. Sænk værktøjshuset og før værktøjet jævnt fremad henover arbejdsemnets overflade, mens værktøjets basis holdes så det flugter, indtil arbejdet er fuldført.
- Når der skæres kanter, skal arbejdsemnets overflade være på venstre side af fræseværktøjet i fremføringsretningen. (Fig. 9)

BEMÆRK:

- Hvis værktøjet føres for hurtigt frem giver det en fræsning af ringe kvalitet, eller der kan ske skade på fræseværktøjet eller motoren. For langsom fremføring af værktøjet kan brænde eller skæmme fræsningen.

Den passende fremførselshastighed afhænger af fræseværktøjets størrelse, arbejdssemnets art og fræsedybden. Før der begyndes fræsning på det egentlige arbejdssemne, tilrådes det at lave en prøvefræsning på et stykke affaldstræ. Dette vil vise præcist, hvordan fræsningen vil se ud, samt gøre det muligt at tjekke dimensionerne.

- Når parallelanslaget eller rulleanslaget anvendes, skal du sørge for at montere det på højre side i fremførselretningen. Dette vil hjælpe med til, at det flugter med den anden side af arbejdssemnet. (Fig. 10)

Parallelanslag (Fig. 11)

Parallelanslaget er effektivt til brug ved lige fræsninger, når der affæses eller laves riller. Monter parallelanslaget på anslagsholderen med fastgørelsesskruen (B). Indsæt anslagsholderen i hullerne i værktøjets basis og spænd fastgørelsesskruen (A). For at justere afstanden mellem fræseværktøjet og parallelanslaget skal du løsne fastgørelsesskruen (B) og finjusteringsskruen (1,5 mm pr. omdrejning). Når den ønskede afstand er fundet, spændes fastgørelsesskruen (B) for at holde parallelanslaget på plads. (Fig. 12) Der kan laves bredere parallelanslag efter ønskede mål vha. de praktiske huller i anslaget til at bolte ekstra stykker træ på. (Fig. 13)

Når du anvender et fræseværktøj med en stor diameter, skal du montere træstykker på parallelanslaget, der har en tykkelse på mere end 15 mm for at forhindre, at fræseværktøjet støder ind i parallelanslaget. Når der fræses, skal værktøjet bevæges sådan, at parallelanslaget flugter med siden på arbejdssemnet. Hvis afstanden mellem siden på arbejdssemnet og fræsepositionen er for bred til parallelanslaget, eller hvis siden på arbejdssemnet ikke er lige, kan parallelanslaget ikke anvendes. I dette tilfælde spændes et lige bræt godt fast til arbejdssemnet, hvorefter dette anvendes som anslag mod overfræserens basis. Fremfør værktøjet i pilens retning. (Fig. 14)

Parallelanslag til finjustering (tilbehør) (Fig. 15)

Når overfræseren er monteret

Sæt de to stænger (Stang 10) ind i anslagsholderens ydre monteringsåbninger og fastgør dem ved at stramme de to fastgørelsesskruer (M15 x 14 mm). Kontroller, at fløjmåtrikken (M6 x 50 mm) er skruet ned og skub derefter monteringsenheden på overfræserens basis ind på de to stænger (Stang 10), og stram fastgørelsesskruerne på basis til.

Finjusteringsfunktion til placering af fræseværktøj i forhold til parallelanslag (Fig. 16)

1. Løsn fløjmåtrikken (M6 x 50 mm).
2. Positionen kan justeres ved at dreje på fløjmåtrikken (M10 x 52 mm) (en omdrejning justerer positionen med 1 mm).
3. Når justeringen af positionen er gennemført, skal fløjmåtrikken (M6 x 50 mm) strammes, indtil den sidder fast.

Gradringen kan roteres særskilt, sådan at gradenheden kan sættes til nul (0).

Ændring af styreskoens bredde

Løsn de skruer der er markeret med cirkler for ændre bredden på styreskoen i venstre og højre retning. Stram skruerne ordentligt til efter ændring af bredden. Ændringsområdet for styreskoens bredde (d) er 280 mm til 350 mm. (Fig. 17 - 19)

Kopiring (fås som tilbehør) (Fig. 20)

Kopiringen fungerer som en muffe, hvor igennem fræseværktøjet passerer, hvorved overfræseren kan benyttes til skabelonfræsning. For at montere kopiringen skal du trække i sikringsbliksgrebet og indsætte kopiringen. (Fig. 21) Monter skabelonen på arbejdssemnet. Placer værktøjet på skabelonen, og bevæg værktøjet således, at kopiringen glider langs med skabelonens kant. (Fig. 22)

BEMÆRK:

- Arbejdssemnet fræses i en lidt anden størrelse end skabelonen. Giv plads til afstanden (X) mellem fræseværktøjet og ydersiden af kopiringen. Afstanden (X) kan udregnes ved hjælp af følgende ligning: $Afstand (X) = (udvendig\ diameter\ på\ kopiringen - fræseværktøjets\ diameter) / 2$

Rulleanslag (fås som tilbehør) (Fig. 23)

Beskæring, runde skæringer i finer til møbler og lignende kan nemt udføres med rulleanslaget. Anslagsrullen følger kurven og sikrer et fint snit.

Monter rulleanslaget på anslagsholderen med fastgørelsesskruen (B). Indsæt anslagsholderen i hullerne i værktøjets basis og spænd fastgørelsesskruen (A). For at justere afstanden mellem fræseværktøjet og rulleanslaget skal du løsne fastgørelsesskruen (B) og finjusteringsskruen (1,5 mm pr. omdrejning). Når du justerer anslagsrullen op eller ned, skal du løsne fastgørelsesskruen (C). Stram fastgørelsesskruerne ordentligt til efter justeringen. (Fig. 24)

Når der fræses, skal værktøjet bevæges sådan, at anslagsrullen følger siden på arbejdssemnet. (Fig. 25)

Støvdysse-sæt (tilbehør) (Fig. 26)

Brug støvdysen til udsugning af støv. Monter støvdysen på værktøjets basis vha. vingeskruen sådan at fremspringet på støvdysen passer i indhakked på værktøjets base.

Tilslut derefter en støvsuger til støvdysen. (Fig. 27)

Sådan bruges M6 x 135 skruen til justering af fræsedybden

Ved anvendelse af værktøjet sammen med et overfræserbord, der fås i handlen, kan brug af denne skrue give brugeren mulighed for at justere fræsedybden en lille smule over bordet. (Fig. 28)

1. Installation af skruen og skiven på værktøjet

- Monter underlagsskiven på denne skrue.
- Indsæt denne skrue gennem et skruelul i værktøjets basis og skru derefter skruens gevind ind i værktøjets motorholder. (Fig. 29 - 31)

På dette tidspunkt skal du tilføje noget fedt eller smørelolie til skruhullet i værktøjets basis og gevinddelen i motorholderen. (Fig. 32 & 33)

2. Justering af fræsedybden

- Der kan opnås en lille smule fræsedybde ved oppefra at dreje på denne skrue med en skruetrækker. (1,0 mm pr. fuld omdrejning)
- Drejes den med uret forøges fræsedybden, og drejes den mod urets retning gøres den mindre. (Fig. 34)

VEDLIGEHODELSE

FORSIGTIG:

- Sørg altid for, at værktøjet er slukket, og at stikket er taget ud, før du udfører inspektion eller vedligeholdelse.

Udskiftning af kulbørsterne (Fig. 35)

Tag regelmæssigt kulbørsterne af, og efterse dem. Udskift dem, når de er nedslidte til slidgrænsen. Hold kulbørsterne rene og frie til at glide i holderne.

Begge kulbørster skal udskiftes samtidig. Brug altid identiske kulbørster.

Brug en skruetrækker til at fjerne kulholderdækslerne.

Tag de udslidte kulbørster ud, monter de nye, og fastgør kulholderdækslerne. (Fig. 36)

Efter udskiftning af børsterne skal du slutte værktøjet til stikkontakten og slide børsterne til ved at lade værktøjet køre uden belastning i cirka 10 minutter. Kontroller derefter værktøjet under kørsel, samt at den elektriske bremse fungerer, når afbryderkontakten slippes. Kontakt det lokale Makita-servicecenter for at få værktøjet repareret, hvis den elektriske bremse ikke fungerer korrekt.

For at holde produktet SIKKERT og PÅLIDELIGT skal reparationer samt al anden vedligeholdelse eller justering udføres af autoriserede Makita-servicecentre, og der skal altid benyttes Makita-reservedele.

TILBEHØR

FORSIGTIG:

- Dette tilbehør eller ekstraudstyr anbefales til brug med det Makita-værktøj, som er beskrevet i denne brugsanvisning. Brug af andet tilbehør eller ekstraudstyr kan forårsage personskade. Brug kun tilbehør eller ekstraudstyr til det formål, det er beregnet til.

Henvend dig til din lokale Makita-servicecenter, hvis du har brug for hjælp eller yderligere oplysninger vedrørende tilbehøret.

- Lige og rilleformende fræseværktøjer
- Kantformende fræseværktøjer
- Laminafræseværktøjer
- Parallelslag
- Rulleanslag
- Anslagsholder
- Kopiringe
- Kopiringsadapter
- Låsemøtrik
- Spændepatron 12 mm, 1/2"
- Spændepatronkrave 6 mm, 8 mm, 10 mm
- Spændepatronkrave 3/8, 1/4"
- Skruenøgle 24
- Vakuumsugning

Fræseværktøj

Notfræseværktøj (Fig. 37)

mm

D	A	L 1	L 2
6	20	50	15
1/4"			
12	12	60	30
1/2"			
12	10	60	25
1/2"			
8	8	60	25
6	8	50	18
1/4"			
6	6	50	18
1/4"			

U notfræseværktøj (Fig. 38)

mm

D	A	L 1	L 2	R
6	6	50	18	3

V notfræseværktøj (Fig. 39)

mm

D	A	L 1	L 2	θ
1/4"	20	50	15	90°

Kantfræseværktøj (Fig. 40)

mm

D	A	L 1	L 2	L 3
12	12	60	20	35
8	8	60	20	35
6	6	60	18	28

Dobbelt kantfræseværktøj (Fig. 41)

mm

D	A	L 1	L 2	L 3	L 4
6	6	70	40	12	14

Fræseværktøj til brætsamling (Fig. 42)

mm

D	A 1	A 2	L 1	L 2	L 3
12	38	27	61	4	20

Fræseværktøj til afrunding af hjørner (Fig. 43)

mm

D	A 1	A 2	L 1	L 2	L 3	R
6	25	9	48	13	5	8
6	20	8	45	10	4	4

Fasefræseværktøj (Fig. 44)

mm

D	A	L 1	L 2	L 3	θ
6	23	46	11	6	30°
6	20	50	13	5	45°
6	20	49	14	2	60°

Profilfræseværktøj (Fig. 45)

mm

D	A	L 1	L 2	R
6	20	43	8	4
6	25	48	13	8

Kantfræseværktøj med kugleleje (Fig. 46)

mm

D	A	L 1	L 2
6	10	50	20
1/4"			

Fræseværktøj til afrunding af hjørner med kugleleje (Fig. 47)

mm

D	A 1	A 2	L 1	L 2	L 3	R
6	15	8	37	7	3,5	3
6	21	8	40	10	3,5	6
1/4"	21	8	40	10	3,5	6

Fasefræseværktøj med kugleleje (Fig. 48)

mm

D	A 1	A 2	L 1	L 2	θ
6	26	8	42	12	45°
1/4"					
6	20	8	41	11	60°

Radiusfræseværktøj med kugleleje (Fig. 49)

mm

D	A 1	A 2	A 3	L 1	L 2	L 3	R
6	20	12	8	40	10	5,5	4
6	26	12	8	42	12	4,5	7

Profilfræseværktøj med kugleleje (Fig. 50)

mm

D	A 1	A 2	A 3	A 4	L 1	L 2	L 3	R
6	20	18	12	8	40	10	5,5	3
6	26	22	12	8	42	12	5	5

Profilfræseværktøj med kugleleje (Fig. 51)

mm

D	A 1	A 2	L 1	L 2	L 3	R1	R2
6	20	8	40	10	4,5	2,5	4,5
6	26	8	42	12	4,5	3	6

For model RP1800, RP1800F, RP1801**Kun for lande i Europa****Støj**

ENG102-1

Det typiske A-vægtede lydtrykniveau bestemt i overensstemmelse med EN60745-2-17:
 Lydtrykniveau (L_{pA}): 86 dB (A)
 Lydeffektniveau (L_{WA}): 97 dB (A)
 Usikkerhed (K): 3 dB (A)

Bær høreværn**Vibration**

NEG223-1

Den samlede vibrationsværdi (treaksiel vektorsum) bestemt i overensstemmelse med EN60745-2-17:
 Arbejdstilstand: rilleskæring i MDF-plader
 Vibrationsemission (a_n): 4,0 m/s²
 Usikkerhed (K): 1,5 m/s²

For model RP2300FC, RP2301FC**Kun for lande i Europa****Støj**

ENG102-1

Det typiske A-vægtede lydtrykniveau bestemt i overensstemmelse med EN60745-2-17:
 Lydtrykniveau (L_{pA}): 87 dB (A)
 Lydeffektniveau (L_{WA}): 98 dB (A)
 Usikkerhed (K): 3 dB (A)

Bær høreværn**Vibration**

ENG223-1

Den samlede vibrationsværdi (treaksiel vektorsum) bestemt i overensstemmelse med EN60745-2-17:
 Arbejdstilstand: rilleskæring i MDF-plader
 Vibrationsemission (a_n): 4,5 m/s²
 Usikkerhed (K): 1,5 m/s²

EF-OVERENSSTEMMELSESERKLÆRING

ENH101-9

Model**RP1800, RP1800F, RP1801, RP2300FC, RP2301FC**

Vi erklærer og tager det fulde ansvar for, at produktet overholder følgende standarder i de standardiserede dokumenter:

EN60745, EN55014, EN61000 i overensstemmelse med Rådets direktiver 2004/108/EC, 98/37/EC.

CE2008

 Tomoyasu Kato
 Direktør

Ansvarlig producent:

Makita Corporation

3-11-8, Sumiyoshi-cho, Anjo, Aichi, JAPAN

Autoriseret repræsentant i Europa:

Makita International Europe Ltd.

Michigan Drive, Tongwell, Milton Keynes, Bucks MK15 8JD, ENGLAND

Γενική περιγραφή

- | | | |
|--|--|---|
| 1. Ρυθμιστικό κουμπί | 21. Ευθύγραμμος οδηγός | 40. Βίδα σύσφιξης (C) |
| 2. Μοχλός κλειδώματος | 22. Ρυθμιστική βίδα ακριβείας | 41. Οδηγός κοπής |
| 3. Παξιμάδι ρύθμισης ανασταλτικής ράβδου | 23. Βίδα σύσφιξης (B) | 42. Καθοδηγητικός κύλινδρος |
| 4. Κουμπί γρήγορης τροφοδοσίας | 24. Βίδα σύσφιξης (A) | 43. Στόμιο σκόνης |
| 5. Ρυθμιστικό μπουλόνι | 25. Στήριγμα οδηγού | 44. Βίδα σύσφιξης |
| 6. Ανασταλτικός τάκος | 26. Περισσότερο από 15 χιλ | 45. Επίπεδη ροδέα 6 |
| 7. Δείκτης βάθους | 27. Ξύλο | 46. Βίδα M6 x 135 |
| 8. Ανασταλτική ράβδος | 28. Βίδες | 47. Οπή |
| 9. Νάilon παξιμάδι | 29. Μετακινούμενο | 48. Σπειροειδές τμήμα στο υποστήριγμα του μοτέρ |
| 10. Ρυθμιστικό μπουλόνι | 30. Κατά τη ρύθμιση στο ελάχιστο πλάτος ανοίγματος | 49. Εσωτερικό της τρύπας της βίδας στη βάση του εργαλείου |
| 11. Κουμπί κλειδώματος | 31. Κατά τη ρύθμιση στο μέγιστο πλάτος ανοίγματος | 50. Σπειροειδές τμήμα στο υποστήριγμα του μοτέρ |
| 12. Σκανδάλη-διακόπτης | 32. Οδηγός προτύπου | 51. Καταβίδι |
| 13. Επιλογέας ρύθμισης ταχύτητας | 33. Πλάκα ασφάλισης | 52. Ένδειξη ορίου |
| 14. Λάμπα | 34. Φρέζα | 53. Καπάκι υποδοχής για το καρβουνάκι |
| 15. Ασφάλεια άξονα | 35. Βάση | |
| 16. Κλειδί | 36. Πρότυπο | |
| 17. Τεμάχιο εργασίας | 37. Απόσταση (X) | |
| 18. Διεύθυνση περιστροφής φρέζας | 38. Εξωτερική διάμετρος του οδηγού προτύπου | |
| 19. Άποψη από την κορυφή του εργαλείου | 39. Στήριγμα οδηγού | |
| 20. Διεύθυνση τροφοδοσίας | | |

ΠΡΟΔΙΑΓΡΑΦΕΣ

Μοντέλο	RP1800/ RP1800F	RP1801/ RP1801F	RP2300FC	RP2301FC
Ικανότητα μηχανισμού σύσφιξης	12 χιλ ή 1/2"			
Ικανότητα βύθισης	0 - 70 χιλ			
Ταχύτητα χωρίς φορτίο (λειπτό ⁻¹)	22.000		9.000 - 22.000	
Ολικό μήκος	312 χιλ			
Καθαρό βάρος	6,0 κιλά		6,1 κιλά	
Τάξη ασφάλειας	II/II			

- Λόγω του συνεχόμενου προγράμματος που εφαρμόζουμε για έρευνα και ανάπτυξη, τα τεχνικά χαρακτηριστικά στο παρόν έντυπο υπόκεινται σε αλλαγή χωρίς προειδοποίηση.
- Σημείωση: Τα τεχνικά χαρακτηριστικά ενδέχεται να διαφέρουν ανάλογα με τη χώρα.
- Βάρος σύμφωνα με τη μέθοδο της ΕΡΤΑ 01/2003

Προοριζόμενη χρήση

ENE010-1

Το εργαλείο προορίζεται για επίπεδη κοπή και μορφοποίηση ξύλου, πλαστικού και παρόμοιων υλικών

Ηλεκτρική παροχή

ENF002-1

Το εργαλείο πρέπει να συνδέεται μόνο σε ηλεκτρική παροχή της ίδιας τάσης με αυτήν που αναγράφεται στην πινακίδα ονομαστικών τιμών και μπορεί να λειτουργήσει μόνο με εναλλασσόμενο μονοφασικό ρεύμα. Τα εργαλεία αυτά διαθέτουν διπλή μόνωση που συμμορφώνεται με τα Ευρωπαϊκά Πρότυπα και συνεπώς μπορούν να συνδεθούν με πρίζες χωρίς γείωση.

ΕΙΔΙΚΟΙ ΚΑΝΟΝΕΣ ΑΣΦΑΛΕΙΑΣ

GEB018-1

ΜΗΝ επιτρέψετε στη βολικότητα ή στην εξοικειωσή σας με το προϊόν (που αποκτήθηκε από επανειλημμένη χρήση) να αντικαταστήσει την αυστηρή προσήλωση στους κανόνες ασφάλειας του ρούτερ. Εάν χρησιμοποιήσετε αυτό το εργαλείο με

ανασφαλές ή λανθασμένο τρόπο, ενδέχεται να υποστείτε σοβαρό τραυματισμό.

1. **Να κρατάτε τα ηλεκτρικά εργαλεία από τις λαβές με μόνωση όταν εκτελείτε εργασίες κατά τις οποίες το κοπτικό εργαλείο μπορεί να έρθει σε επαφή με κρυμμένα καλώδια ή με το ίδιο του το καλώδιο.** Αν το εργαλείο έρθει σε επαφή με κάποιο ηλεκτροφόρο καλώδιο, μπορεί τα εκτεθειμένα μεταλλικά μέρη του εργαλείου να γίνουν κι αυτά ηλεκτροφόρα και να προκληθεί ηλεκτροπληξία στο χειριστή.
2. **Χρησιμοποιήστε σφικτήρες ή κάποιο άλλο πρακτικό μέσο για να ασφαλίσετε και να στηρίξετε το τεμάχιο εργασίας σε μια σταθερή πλατφόρμα.** Αν κρατάτε το τεμάχιο εργασίας με το χέρι σας ή επάνω στο σώμα σας, θα είναι ασταθές και μπορεί να χάσετε τον έλεγχο.
3. **Να φοράτε γυαλιστάκια κατά τη λειτουργία για μεγάλο χρονικό διάστημα.**
4. **Να χειρίζεστε τις φρέζες πολύ προσεκτικά.**

5. Πριν από τη λειτουργία, να ελέγχετε προσεκτικά τη φρέζα για ραγίσματα ή ζημιά. Να αντικαθιστάτε αμέσως μια ραγισμένη ή κατεστραμμένη φρέζα.
6. Να αποφεύγετε την κοπή καρφιών. Πριν από τη λειτουργία, να ελέγχετε αν υπάρχουν καρφιά στο τεμάχιο εργασίας και να τα αφαιρείτε όλα αν υπάρχουν.
7. Να κρατάτε το εργαλείο γερά και με τα δύο χέρια.
8. Μην πλησιάζετε τα χέρια σας σε περιστρεφόμενα μέρη.
9. Να βεβαιώνετε ότι η φρέζα δεν ακουμπά το τεμάχιο εργασίας πριν ενεργοποιείτε το διακόπτη λειτουργίας.
10. Πριν χρησιμοποιήσετε το εργαλείο σε ένα πραγματικό τεμάχιο εργασίας, να το αφήνετε να λειτουργεί για λίγη ώρα. Να προσέχετε για δονήσεις ή κινήσεις που θα μπορούσαν να υποδειχθούν τη λανθασμένη εγκατάσταση της φρέζας.
11. Να προσέχετε την κατεύθυνση περιστροφής και τροφοδοσίας της φρέζας.
12. Μην αφήνετε το εργαλείο σε λειτουργία. Το εργαλείο πρέπει να βρίσκεται σε λειτουργία μόνο όταν το κρατάτε.
13. Όταν σβήνετε το εργαλείο, πάντοτε να περιμένετε να σταματήσει να κινείται εντελώς η φρέζα πριν βγάτε το εργαλείο από το τεμάχιο εργασίας.
14. Μην αγγίζετε τη φρέζα αμέσως μετά τη λειτουργία του εργαλείου. Μπορεί να είναι εξαιρετικά θερμή και να προκαληθεί έγκαυμα στο δέρμα σας.
15. Μην αλείφετε απρόσεχτα τη βάση του εργαλείου με νέφτι, βενζίνη, λάδι ή κάτι παρόμοιο. Μπορεί να ραγίσει η βάση του εργαλείου.
16. Να προσέχετε ώστε να χρησιμοποιείτε κόπτες που διαθέτουν σωστή διάμετρο άξονα και είναι κατάλληλοι για την ταχύτητα του εργαλείου.
17. Μερικά υλικά περιέχουν χημικές ουσίες που μπορεί να είναι τοξικές. Να προσέχετε ώστε να αποφεύγετε την εισπνοή της σκόνης και την επαφή με το δέρμα. Ακολουθείτε τα δεδομένα ασφαλείας υλικού που παρέχονται από τον προμηθευτή.
18. Να χρησιμοποιείτε πάντοτε προσταπίδα κατά της σκόνης ή αναπνευστήρα που είναι κατάλληλα για το υλικό και την εφαρμογή σας.

ΦΥΛΑΞΤΕ ΑΥΤΕΣ ΤΙΣ ΟΔΗΓΙΕΣ.

ΠΡΟΕΙΔΟΠΟΙΗΣΗ:

Η ΛΑΝΘΑΣΜΕΝΗ ΧΡΗΣΗ ή η αμέλεια να ακολουθήσετε τους κανόνες ασφαλείας που διατυπώνονται στο παρόν εγχειρίδιο οδηγίων μπορεί να προκαλέσει σοβαρό προσωπικό τραυματισμό.

ΠΕΡΙΓΡΑΦΗ ΛΕΙΤΟΥΡΓΙΑΣ

ΠΡΟΣΟΧΗ:

- Να βεβαιώνετε πάντοτε ότι το εργαλείο είναι σβηστό και αποσυνδεδεμένο από το ηλεκτρικό ρεύμα πριν ρυθμίσετε ή ελέγξετε κάποια λειτουργία του.

Ρύθμιση του βάθους κοπής (Εικ. 1)

Τοποθετήστε το εργαλείο σε μια επίπεδη επιφάνεια. Ξεσφίξτε το μοχλό κλειδώματος και χαμηλώστε τον κορμό

του εργαλείου έως ότου η φρέζα να ακουμπά την επίπεδη επιφάνεια. Σφίξτε το μοχλό κλειδώματος για να ασφαλίσετε τον κορμό του εργαλείου.

Στρέψτε αριστερόστροφα το παξιμάδι ρύθμισης της ανασταλτικής ράβδου. Στη συνέχεια χαμηλώστε την ανασταλτική ράβδο έως ότου έρθει σε επαφή με το ρυθμιστικό μπουλόνι. Ευθυγραμμίστε το δείκτη του βάθους με την διαβάθμιση 0. Το βάθος της κοπής δείχνεται στην κλίμακα από το δείκτη του βάθους. Καθώς πιέζετε το κουμπί γρήγορης τροφοδοσίας, ανυψώστε την ανασταλτική ράβδο έως ότου επιτευχθεί το επιθυμητό βάθος κοπής. Οι ρυθμίσεις ακριβείας της κοπής μπορούν να γίνουν με την περιστροφή του ρυθμιστικού κουμπιού (1 χιλ ανά περιστροφή). Περιστρέφοντας προς τα δεξιά το παξιμάδι ρύθμισης της ανασταλτικής ράβδου, μπορείτε να στερεώσετε γερά την ανασταλτική ράβδο.

Τώρα, το προκαθορισμένο βάθος της κοπής μπορεί να επιτευχθεί ξεσφίγγοντας το μοχλό κλειδώματος και στη συνέχεια χαμηλώνοντας τον κορμό του εργαλείου έως ότου η ανασταλτική ράβδος να έρθει σε επαφή με το εξάγ. μπουλόνι του ανασταλτικού τάκου.

Νάιλον παξιμάδι (Εικ. 2)

Το πάνω όριο του κορμού του εργαλείου μπορεί να ρυθμιστεί μέσω της περιστροφής του νάιλον παξιμαδιού.

ΠΡΟΣΟΧΗ:

- Μην χαμηλώσετε πάρα πολύ το νάιλον παξιμάδι. Η προεξοχή της φρέζας θα είναι πολύ επικίνδυνη.

Ανασταλτικός τάκος (Εικ. 3)

Ο ανασταλτικός τάκος διαθέτει τρία ρυθμιστικά εξάγ. μπουλόνια τα οποία ανυψώνονται ή χαμηλώνουν κατά 0,8 χιλ ανά περιστροφή. Μπορείτε εύκολα να επιτύχετε τρία διαφορετικά βάθη τομών χρησιμοποιώντας αυτά τα ρυθμιστικά εξάγ. μπουλόνια χωρίς την επαναρύθμιση του ανασταλτικού τάκου.

Ρυθμίστε το χαμηλότερο εξάγ. μπουλόνι για να αποκτήσετε τη βαθύτερη τομή, σύμφωνα με την μέθοδο της ενότητας Ρύθμιση του βάθους κοπής.

Ανυψώστε τα δυο εναπομένοντα εξάγ. μπουλόνια για να αποκτήσετε τα μικρότερα βάθη κοπής. Οι διαφορές στα ύψη αυτών των εξάγ. μπουλονιών είναι ίσες με τις διαφορές στα βάθη κοπής.

Για να ρυθμίσετε τα εξάγ. μπουλόνια, περιστρέψτε τα με ένα κατσαβίδι ή ένα κλειδί. Ο ανασταλτικός τάκος είναι επίσης βολικός για να κάνετε τρία περάσματα με προοδευτικά βαθύτερες ρυθμίσεις της φρέζας όταν κόβετε βαθιές αυλακώσεις.

ΠΡΟΣΟΧΗ:

- Επειδή η υπερβολική κοπή μπορεί να προκαλέσει την υπερφόρτωση του μοτέρ ή την δυσκολία στο χειρισμό του εργαλείου, το βάθος της κοπής δεν θα πρέπει να είναι περισσότερο από 15 χιλ ανά πέρασμα κατά την κοπή αυλακώσεων με μια διάμετρο φρέζας 8 χιλ.
- Κατά την κοπή αυλακώσεων με μια διάμετρο φρέζας 20 χιλ, το βάθος της κοπής δεν θα πρέπει να είναι περισσότερο από 5 χιλ ανά πέρασμα.
- Για κοπές αρκετά μεγάλου βάθους, κάνετε δυο ή τρία περάσματα με προοδευτικά βαθύτερες ρυθμίσεις της φρέζας.

Δράση διακόπτη (Εικ. 4)

ΠΡΟΣΟΧΗ:

- Πριν συνδέετε το εργαλείο στην πρίζα, πάντοτε να ελέγχετε ότι η σκανδάλη-διακόπτης ενεργοποιείται κανονικά και επιστρέφει στη θέση OFF όταν την αφήνετε.
- Βεβαιωθείτε ότι έχετε απελευθερώσει την ασφάλεια του άξονα πριν ενεργοποιήσετε το διακόπτη λειτουργίας.

Για την αποτροπή της κατά λάθος πίεσης της σκανδάλης-διακόπτης, παρέχεται ένα κουμπί κλειδώματος.

Για να ξεκινήσετε τη λειτουργία του εργαλείου, πιάστε το κουμπί κλειδώματος και πατήστε τη σκανδάλη-διακόπτης.

Για να σταματήσετε το εργαλείο, αφήστε την σκανδάλη-διακόπτης.

Για συνεχόμενη λειτουργία, πατήστε τη σκανδάλη-διακόπτης και κατόπιν πατήστε το κουμπί ασφάλισης. Για να σταματήσετε το εργαλείο, τραβήξτε την σκανδάλη-διακόπτη έτσι ώστε το κουμπί κλειδώματος να επιστρέψει αυτόματα. Κατόπιν ελευθερώστε την σκανδάλη-διακόπτης.

Μετά την απελευθέρωση της σκανδάλης-διακόπτης, η λειτουργία κλειδώματος βρίσκεται σε ισχύ για την αποτροπή του τραβήγματός της.

ΠΡΟΣΟΧΗ:

- Κρατάτε γερά το εργαλείο όταν το σβήνετε, για να ανταπεξέλθετε στην αντίδραση του εργαλείου.

Ηλεκτρονική λειτουργία

Μόνο για τα μοντέλα RP2300FC, RP2301FC

Έλεγχος σταθερής ταχύτητας

- Είναι δυνατό να έχετε ένα καθαρό τελείωμα, επειδή η ταχύτητα περιστροφής διατηρείται σταθερή ακόμη και κάτω από συνθήκες φορτίου.
- Επιπρόσθετα, όταν το φορτίο στο εργαλείο ξεπερνά τα επιτρεπόμενα όρια, η ισχύς στο μοτέρ ελαττώνεται για την προστασία του μοτέρ από την υπερθέρμανση. Όταν το φορτίο επιστρέψει στα επιτρεπτά όρια, το εργαλείο θα λειτουργεί κανονικά.

Χαρακτηριστικό ομαλής εκκίνησης

- Χρησιμοποιήστε την ομαλή εκκίνηση λόγω των απότομων κραδασμών κατά την εκκίνηση.

Επιλογέας ρύθμισης ταχύτητας

Μόνο για τα μοντέλα RP2300FC, RP2301FC (Εικ. 5)

Η ταχύτητα περιστροφής του εργαλείου μπορεί να αλλάξει περιστρέφοντας τον επιλογέα ρύθμισης ταχύτητας σε μια δεδομένη ρύθμιση του αριθμού μεταξύ του 1 και 6.

Η υψηλότερη ταχύτητα επιτυγχάνεται όταν ο επιλογέας στρέφεται προς την διεύθυνση του αριθμού 6 και χαμηλότερη ταχύτητα επιτυγχάνεται όταν στρέφεται προς την διεύθυνση του αριθμού 1.

Αυτό επιτρέπει την επιλογή της κατάλληλης ταχύτητας για την βέλτιστη επεξεργασία του υλικού, δηλ. η ταχύτητα μπορεί να ρυθμιστεί σωστά για να ταιριάζει με το υλικό και την διάμετρο της φρέζας.

Ανατρέξτε στον πίνακα για τη σχέση μεταξύ τις ρυθμίσεις του αριθμού του επιλογέα και την κατά προσέγγιση ταχύτητα περιστροφής του εργαλείου.

Αριθμός	Λεπτά ⁻¹
1	9.000
2	11.000
3	14.000
4	17.000
5	20.000
6	22.000

ΠΡΟΣΟΧΗ:

- Αν το εργαλείο λειτουργεί συνεχόμενα σε χαμηλές ταχύτητες για μεγάλο χρονικό διάστημα, το μοτέρ θα υπερφορτωθεί και θα προκαλέσει δυσλειτουργία του εργαλείου.
- Ο επιλογέας ρύθμισης ταχύτητας έχει τη δυνατότητα να περιστρέφεται έως το 6 και ξανά στο 1. Μην τον εξαναγκάζετε πέρα από το 6 ή το 1, αλλιώς μπορεί να μη λειτουργεί πλέον η ρύθμιση ταχύτητας.

Άναμμα των λαμπών

Μόνο για τα μοντέλα RP1800F, RP1801F, RP2300FC, RP2301FC (Εικ. 6)

ΠΡΟΣΟΧΗ:

- Μην κοπάτε κατευθείαν μέσα στο φως ή στην πηγή φωτός.

Πιάστε τη σκανδάλη-διακόπτης για να ανάψετε τη λάμπα. Η λάμπα εξακολουθεί να είναι αναμμένη όσο πιέζετε την σκανδάλη-διακόπτη.

Η λάμπα σβήνει 10 - 15 δευτερόλεπτα αφού αφήσετε τη σκανδάλη.

ΣΗΜΕΙΩΣΗ:

- Χρησιμοποιήστε ένα στεγνό ύφασμα για να σκουπίσετε την βρωμιά του φακού. Δώστε προσοχή να μην γρατζουνίσετε τον φακό της λάμπας, διαφορετικά θα χαμηλώσει η ισχύς του φωτισμού.

ΣΥΝΑΡΜΟΛΟΓΗΣΗ

ΠΡΟΣΟΧΗ:

- Να βεβαιώνετε πάντοτε ότι το εργαλείο είναι σβηστό και αποσυνδεδεμένο από το ηλεκτρικό ρεύμα πριν εκτελέσετε οποιαδήποτε εργασία σε αυτό.

Τοποθέτηση ή αφαίρεση της φρέζας (Εικ. 7)

ΠΡΟΣΟΧΗ:

- Τοποθετήστε τη φρέζα με ασφάλεια. Να χρησιμοποιείτε πάντοτε μόνο το κλειδί που παρέχεται με το εργαλείο. Μια χαλαρή ή υπερβολικά σφιγμένη φρέζα μπορεί να είναι επικίνδυνη.
- Να χρησιμοποιείτε πάντοτε ένα κολάρο σύσφιξης που είναι κατάλληλο για την διάμετρο του άξονα της φρέζας.
- Μην σφίγγετε το παξιμάδι του μηχανισμού σύσφιξης χωρίς να έχετε βάλει μέσα την φρέζα ή μην τοποθετείτε φρέζες με μικρό άξονα χωρίς προηγουμένως να χρησιμοποιήσετε ένα βραχίονα σύσφιξης. Και τα δύο μπορούν να οδηγήσουν στο σπάσιμο του κώνου σύσφιξης.

- Να χρησιμοποιείτε μόνο φρέζες για το ρούτερ των οποίων η μέγιστη ταχύτητα, όπως δείχνεται στην φρέζα, δεν υπερβαίνει την μέγιστη ταχύτητα του ρούτερ.

Εισχωρήστε τη φρέζα μέχρι τέρμα μέσα στο κώνο σύσφιξης. Πιάστε την ασφάλεια του άξονα για να διατηρήσετε σταθερό τον άξονα και χρησιμοποιήστε το κλειδί για να σφίξετε καλά τον κώνο σύσφιξης. Όταν χρησιμοποιείτε φρέζες του ρούτερ με μικρότερη διάμετρο άξονα, πρώτα εισάγετε τον κατάλληλο βραχίονα σύσφιξης μέσα στον κώνο σύσφιξης, και στη συνέχεια τοποθετήστε την φρέζα όπως έχει περιγραφεί παραπάνω.

Για να βγάλετε τη φρέζα, ακολουθήστε τη διαδικασία τοποθέτησης με αντίστροφη σειρά.

ΛΕΙΤΟΥΡΓΙΑ

ΠΡΟΣΟΧΗ:

- Πριν τη χρήση πάντοτε να διασφαλίζετε ότι ο κορμός του εργαλείου ανυψώνεται αυτόματα ως το πάνω όριο και ότι η φρέζα δεν προεξέχει από τη βάση του εργαλείου όταν είναι ξεσφιγμένος το μοχλός ασφάλισης.
- Πριν από την χρήση, πάντοτε να διασφαλίζετε ότι ο εκτροπέας θραυσμάτων είναι τοποθετημένος κανονικά. **(Εικ. 8)**

Πάντοτε να χρησιμοποιείτε και τις δυο λαβές και να κρατάτε το εργαλείο καλά από τις δυο λαβές κατά τη διάρκεια των εργασιών.

Τοποθετήστε τη βάση του εργαλείου στο τεμάχιο εργασίας που πρόκειται να κοπεί, χωρίς η φρέζα να το ακουμπά. Κατόπιν, θέστε σε λειτουργία το εργαλείο και περιμένετε έως ότου η φρέζα να αποκτήσει την πλήρη της ταχύτητα. Χαμηλώστε τον κορμό του εργαλείου και μετακινήστε το εργαλείο προς τα εμπρός επάνω στην επιφάνεια του τεμαχίου εργασίας, κρατώντας τη βάση του εργαλείου επίπεδη και προωθώντας το ομαλά μέχρι να ολοκληρωθεί η κοπή.

Όταν κόβετε άκρες, η επιφάνεια του αντικειμένου εργασίας πρέπει να βρίσκεται στην αριστερή πλευρά της φρέζας προς την κατεύθυνση τροφοδοσίας. **(Εικ. 9)**

ΣΗΜΕΙΩΣΗ:

- Η μετακίνηση του εργαλείου προς τα εμπρός πολύ γρήγορα μπορεί να προκαλέσει την κακή ποιότητα κοπής, ή την ζημιά στην φρέζα ή στο μοτέρ. Η πολύ αργή μετακίνηση του εργαλείου προς τα εμπρός μπορεί να κάψει ή να καταστρέψει την κοπή. Ο κατάλληλος ρυθμός τροφοδοσίας θα εξαρτηθεί από το μέγεθος της φρέζας, το είδος του τεμαχίου εργασίας και το βάθος της κοπής. Πριν ξεκινήσετε την κοπή σε ένα πραγματικό τεμάχιο εργασίας, συνίσταται να κάνετε μια δοκιμαστική τομή πάνω σε ένα τεμάχιο άχρηστης ξυλείας. Αυτό θα σας δείξει ακριβώς πώς θα είναι η κοπή αλλά και θα μπορέσετε να ελέγξετε τις διαστάσεις.
- Όταν χρησιμοποιείτε τον ευθύ οδηγό, φροντίστε να τον τοποθετήσετε στη δεξιά πλευρά προς την κατεύθυνση τροφοδοσίας. Αυτό θα βοηθήσει στο να κρατηθεί επίπεδος με την πλευρά του τεμαχίου εργασίας. **(Εικ. 10)**

Ευθύς οδηγός (Εικ. 11)

Ο ευθύς οδηγός χρησιμοποιείται αποτελεσματικά για ευθείς τομές κατά την λοξότμηση ή την αυλάκωση. Τοποθετήστε την ευθύ οδηγό πάνω στο στήριγμα του οδηγού με την βίδα στερέωσης (B). Εισάγετε το στήριγμα του οδηγού μέσα στις οπές της βάσης του εργαλείου και σφίξτε την βίδα στερέωσης (A).

Για την ρύθμιση της απόστασης μεταξύ της φρέζας και του ευθύ οδηγού, ξεσφίξτε την βίδα στερέωσης (B) και στρέψτε την ρυθμιστική βίδα ακριβείας (1,5 χιλ ανά περιστροφή). Στην επιθυμητή απόσταση, σφίξτε τη βίδα στερέωσης (B) για να ασφαλίσετε τον ευθύ οδηγό στη θέση του. **(Εικ. 12)**

Ένας πλατύτερος ευθύς οδηγός των επιθυμητών διαστάσεων μπορεί να φιαχτεί χρησιμοποιώντας τις βολικές οπές στον οδηγό για να βιδωθούν επιπλέον κομμάτια ξύλου. **(Εικ. 13)**

Όταν χρησιμοποιείτε μια φρέζα με μεγάλη διάμετρο, συνδέστε κομμάτια ξύλου στον ευθύ οδηγό, τα οποία θα πρέπει να έχουν πάχος μεγαλύτερο από 15 χιλ για να αποφύγετε το κτύπημα της φρέζας στον ευθύ οδηγό. Κατά την κοπή, μετακινήστε το εργαλείο με τον ευθύ οδηγό επίπεδο ως προς την πλευρά του τεμαχίου εργασίας.

Εάν η απόσταση μεταξύ της πλευράς του τεμαχίου εργασίας και της θέσης κοπής είναι πολύ πλατιά για τον ευθύ οδηγό, ή εάν η πλευρά του τεμαχίου εργασίας δεν είναι ευθεία ο ευθύς οδηγός δεν μπορεί να χρησιμοποιηθεί. Σε αυτή την περίπτωση, στερεώστε καλά μια ευθύγραμμη σανίδα στο τεμάχιο εργασίας και χρησιμοποιήστε την ως οδηγό έναντι στη βάση του κόφτη. Τροφοδοτήστε το εργαλείο προς την κατεύθυνση του βέλους. **(Εικ. 14)**

Ευθύς οδηγός για τη ρύθμιση ακριβείας (παρελκόμενο) (Εικ. 15)

Όταν ο ρούτερ είναι στερεωμένος

Εισάγετε τις δυο ράβδους (Ράβδος 10) μέσα από τις εξωτερικές οπές εγκατάστασης του στηρίγματος του οδηγού, και κατόπιν στερεώστε τις ράβδους βιδώνοντας τις δυο βίδες στερέωσης (M15 x 14 χιλ). Ελέγξτε για να διασφαλίσετε ότι η βίδα χειρός (M6 x 50 χιλ) είναι σφιγμένη προς τα κάτω, και μετά ολισθήστε την μονάδα στερέωσης της βάσης του ρούτερ πάνω στις δυο ράβδους (Ράβδος 10), και στη συνέχεια σφίξτε τις βίδες χειρός της βάσης.

Λειτουργία ρύθμισης ακριβείας για την τοποθέτηση της λάμας σε σχέση με τον ευθύγραμμο οδηγό (Εικ. 16)

1. Ξεσφίξτε τη βίδα χειρός (M6 x 50 mm).
2. Η βίδα χειρός (M10 x 52 mm) μπορεί να περιστραφεί για την προσαρμογή της θέσης (μια περιστροφή προσαρμόζει τη θέση κατά 1 χιλ).
3. Μετά την ολοκλήρωση της προσαρμογής της θέσης, σφίξτε την βίδα χειρός (M6 x 50 χιλ) έως ότου να στερεωθεί.

Ο δακτύλιος της κλίμακας μπορεί να περιστραφεί ξεχωριστά, έτσι ώστε η μονάδα της κλίμακας να μπορεί να ρυθμιστεί στο μηδέν (0).

Μεταβολή πλάτους οδηγητικούπέδιλου

Ξεσφίξτε τις βίδες που είναι σημειωμένες με τους κύκλους για να μεταβληθεί το πλάτος του οδηγητικούπέδιλου προς την αριστερή και προς τη δεξιά κατεύθυνση. Μετά την μεταβολή του πλάτους, σφίξτε τις βίδες χειρός (M6 x 50 χιλ) έως ότου να στερεωθούν. Το εύρος μεταβολής (d) του οδηγητικούπέδιλου είναι μεταξύ των 280 χιλ και 350 χιλ. (Εικ. 17 - 19)

Οδηγός προτύπου (προαιρετικό εξάρτημα) (Εικ. 20)

Ο οδηγός προτύπου παρέχει ένα περιβλήμα μέσα από το οποίο περνά η φρέζα, επιτρέποντας την χρήση του εργαλείου με προσχέδια προτύπων.

Για την τοποθέτηση του οδηγού προτύπου, τραβήξτε το μοχλό της πλάκας ασφάλισης και εισάγετε το οδηγό πρότυπο. (Εικ. 21)

Στερεώστε το πρότυπο στο τεμάχιο εργασίας. Τοποθετήστε το εργαλείο στο πρότυπο και μετακινήστε το εργαλείο με τον οδηγό του προτύπου να ολισθαίνει κατά μήκος της πλευράς του προτύπου. (Εικ. 22)

ΣΗΜΕΙΩΣΗ:

- Το αντικείμενο εργασίας θα κοπεί σε ένα ελαφρώς διαφορετικό μέγεθος από το πρότυπο. Λάβετε υπόψη την απόσταση (X) μεταξύ της φρέζας και του εξωτερικού τμήματος του οδηγού προτύπου. Η απόσταση (X) μπορεί να υπολογιστεί χρησιμοποιώντας την παρακάτω εξίσωση:
Απόσταση (X) = (εξωτερική διάμετρος του οδηγού του προτύπου - διάμετρος φρέζας) / 2

Οδηγός κόπτης (προαιρετικό εξάρτημα) (Εικ. 23)

Η κοπή, οι καμπύλες τομές σε καταλαμάδες για έπιπλα και τα παρόμοια μπορούν να γίνουν με ευκολία με τον οδηγό κοπής. Ο οδηγητικός κύλινδρος διατρέπει την καμπύλη και διασφαλίζει μια τέλεια κοπή.

Τοποθετήστε τον οδηγό κοπής πάνω στο στήριγμα του οδηγού με την βίδα στερέωσης (B). Εισάγετε το στήριγμα του οδηγού μέσα στις οπές της βάσης του εργαλείου και σφίξτε την βίδα στερέωσης (A).

Για την ρύθμιση της απόστασης μεταξύ της φρέζας και του οδηγού κοπής, ξεσφίξτε την βίδα στερέωσης (B) και στρέψτε την ρυθμιστική βίδα ακριβείας (1,5 χιλ ανά περιστροφή). Κατά την προσαρμογή του οδηγητικού κυλίνδρου πάνω ή κάτω, ξεσφίξτε την βίδα στερέωσης (C).

Μετά τη ρύθμιση, σφίξτε καλά τις βίδες σύσφιξης.

(Εικ. 24)

Κατά την κοπή, μετακινήστε το εργαλείο με τον οδηγητικό κύλινδρο να διατρέπει την πλευρά του τεμαχίου εργασίας. (Εικ. 25)

Σετ στομίου σκόνης (Παρελκόμενο) (Εικ.26)

Χρησιμοποιήστε το στόμιο σκόνης για την εξαγωγή της σκόνης. Τοποθετήστε το στόμιο της σκόνης στην βάση του εργαλείου χρησιμοποιώντας την βίδα χειρός έτσι ώστε η προεξοχή του στομίου της σκόνης να ταιριάζει στην εγκοπή της βάσης του εργαλείου.

Μετά συνδέστε την αναρροφητική σκούπα στο στόμιο σκόνης. (Εικ. 27)

Πώς να κάνετε χρήση της βίδας M6 x 135 για τη ρύθμιση του βάθους κοπής

Κατά την χρήση του εργαλείου με ένα τραπέζι για ρούτερ το οποίο είναι διαθέσιμο στην αγορά, η χρήση αυτής της βίδας επιτρέπει στο χειριστή την δυνατότητα μιας μικρής ρύθμισης του βάθους κοπής από μια θέση πάνω από το τραπέζι. (Εικ. 28)

1. Τοποθέτηση της βίδας και της ροδέλας στο εργαλείο

- Τοποθετήστε την επίπεδη ροδέλα πάνω σε αυτή την βίδα.
- Εισάγετε αυτή την βίδα μέσα από την τρύπα της βίδας στη βάση του εργαλείου και στη συνέχεια βιδώστε μέσα το σπειροειδές τμήμα στο υποστήριγμα του μοτέρ του εργαλείου. (Εικ. 29 - 31)

Τη στιγμή αυτή, βάλτε λίγο γράσο ή λιπαντικό λάδι μέσα στο εσωτερικό της τρύπας της βίδας στη βάση του εργαλείου και στο σπειροειδές τμήμα στο υποστήριγμα του μοτέρ. (Εικ. 32 και 33)

2. Ρύθμιση του βάθους κοπής

- Ένα μικρό βάθος κοπής μπορεί να αποκτηθεί με την περιστροφή αυτής της βίδας με ένα κασαβίδι από πάνω από το τραπέζι. (1,0 χιλ ανά πλήρη περιστροφή)
- Η δεξιά περιστροφή αυξάνει το βάθος της κοπής ενώ η αριστερόστροφη το μειώνει. (Εικ. 34)

ΣΥΝΤΗΡΗΣΗ

ΠΡΟΣΟΧΗ:

- Να βεβαιώνετε πάντοτε ότι το εργαλείο είναι σβηστό και αποσυνδεδεμένο από το ηλεκτρικό ρεύμα πριν εκτελέσετε οποιαδήποτε εργασία ελέγχου ή συντήρησης σε αυτό.

Αλλαγή καρβουνακίων (Εικ. 35)

Να αφαιρείτε και να ελέγχετε τακτικά τα καρβουνάκια. Να αντικαθιστάτε τα καρβουνάκια όταν έχουν φθαρεί έως την ένδειξη του ορίου. Να διατηρείτε τα καρβουνάκια καθαρά και ελεύθερα για να γλιστρούν στις υποδοχές. Πρέπει να αλλάζετε ταυτόχρονα και τα δύο καρβουνάκια. Να χρησιμοποιείτε μόνο καρβουνάκια ίδιου τύπου. Με τη βοήθεια ενός κασαβιδιού, βγάλτε τα καπάκια υποδοχής για τα καρβουνάκια.

Βγάλτε τα φθαρμένα καρβουνάκια, τοποθετήστε τα καινούργια και ασφαλίστε τα καπάκια υποδοχής για τα καρβουνάκια. (Εικ. 36)

Μετά την αντικατάσταση των καρβουνακίων, συνδέστε στην μπρίζα το εργαλείο και "στρώστε" τα καρβουνάκια λειτουργώντας το εργαλείο χωρίς φορτίο για περίπου 10 λεπτά. Κατά την ελευθέρωση της σκανδάλης-διακόπτη, ελέγξτε το εργαλείο καθώς λειτουργεί καθώς επίσης και την χρήση του ηλεκτρικού φρένου. Αν το ηλεκτρικό φρένο δεν λειτουργεί καλά, επικοινωνήστε με τον τοπικό αντιπροσωπο του σέρβις της Makita για την επίσκεψη. Για να διατηρείται η ΑΣΦΑΛΕΙΑ και η ΑΞΙΟΠΙΣΤΙΑ του προϊόντος, οι εργασίες επίσκεψης, καθώς και οποιαδήποτε άλλη εργασία συντήρησης ή ρύθμισης, θα πρέπει να εκτελούνται σε εξουσιοδοτημένα κέντρα εξυπηρέτησης της Makita, και πάντοτε με τη χρήση ανταλλακτικών της Makita.

ΑΞΕΣΟΥΑΡ

ΠΡΟΣΟΧΗ:

- Συνιστάται η χρήση των παρακάτω αξεσουάρ και εξαρτημάτων με το εργαλείο της Makita μόνο όπως καθορίζεται στο παρόν εγχειρίδιο. Αν χρησιμοποιήσετε άλλα αξεσουάρ ή εξαρτήματα μπορεί να παρουσιαστεί κίνδυνος για πρόκληση ατομικού τραυματισμού. Να χρησιμοποιείτε τα αξεσουάρ και τα εξαρτήματα μόνο για το σκοπό για τον οποίο προορίζονται.

Αν χρειάζεστε κάποια βοήθεια ή περισσότερες πληροφορίες σχετικά με τα αξεσουάρ αυτά, απευθυνθείτε στο πλησιέστερο κέντρο εξυπηρέτησης της Makita.

- Φρέζες ευθείες & για διαμόρφωση αυλακώσεων
- Φρέζες διαμόρφωσης άκρων
- Λαμιναρισμένες φρέζες κοπής
- Ευθύς οδηγός
- Οδηγός κοπής
- Στήριγμα οδηγού
- Οδηγοί προτύπου
- Προσαρμογέας οδηγού προτύπου
- Παξιμάδι κλειδώματος
- Κώνος σύσφιξης 12 χιλ, 1/2"
- Βραχίονας σύσφιξης 6 χιλ, 8 χιλ, 10 χιλ
- Βραχίονας σύσφιξης 3/8", 1/4"
- Κλειδί 24
- Συγκρότημα απορροφητικής κεφαλής

Φρέζες ρούτερ

Ευθεία φρέζα (Εικ. 37)

χιλ

Δ	A	L 1	L 2
6	20	50	15
1/4"			
12	12	60	30
1/2"			
12	10	60	25
1/2"			
8	8	60	25
6	8	50	18
1/4"			
6	6	50	18
1/4"			

Φρέζα αυλάκωσης σε σχήμα U (Εικ. 38)

χιλ

Δ	A	L 1	L 2	R
6	6	50	18	3

Φρέζα αυλάκωσης σε σχήμα V (Εικ. 39)

χιλ

Δ	A	L 1	L 2	θ
1/4"	20	50	15	90°

Φρέζα κοπής για επίπεδη κοπή στο σημείο διάνοιξης (Εικ. 40)

χιλ

Δ	A	L 1	L 2	L 3
12	12	60	20	35
8	8	60	20	35
6	6	60	18	28

Φρέζα κοπής για επίπεδη τομή σε δυο μέρη στο σημείο διάνοιξης (Εικ. 41)

χιλ

Δ	A	L 1	L 2	L 3	L 4
6	6	70	40	12	14

Φρέζα ένωσης της σανίδας (Εικ. 42)

χιλ

Δ	A 1	A 2	L 1	L 2	L 3
12	38	27	61	4	20

Φρέζα για στρογγύλεμα γωνίας (Εικ. 43)

χιλ

Δ	A 1	A 2	L 1	L 2	L 3	R
6	25	9	48	13	5	8
6	20	8	45	10	4	4

Φρέζα λοξότμησης (Εικ. 44)

χιλ

Δ	A	L 1	L 2	L 3	θ
6	23	46	11	6	30°
6	20	50	13	5	45°
6	20	49	14	2	60°

Φρέζα για κοιλώματα (Εικ. 45)

χιλ

Δ	A	L 1	L 2	R
6	20	43	8	4
6	25	48	13	8

Φρέζα επίπεδης κοπής με μπίλια (Εικ. 46)

χιλ

Δ	A	L 1	L 2
6	10	50	20
1/4"			

Φρέζα για στρογγύλεμα γωνίας με μπίλια (Εικ. 47)

χιλ

Δ	A 1	A 2	L 1	L 2	L 3	R
6	15	8	37	7	3,5	3
6	21	8	40	10	3,5	6
1/4"	21	8	40	10	3,5	6

Φρέζα λοξότμησης με μπίλια (Εικ. 48)

χιλ

Δ	A 1	A 2	L 1	L 2	θ
6	26	8	42	12	45°
1/4"					
6	20	8	41	11	60°

Φρέζα με μπίλια φορμαρίσματος για αυλάκωμα (Εικ. 49)

χιλ

Δ	A 1	A 2	A 3	L 1	L 2	L 3	R
6	20	12	8	40	10	5,5	4
6	26	12	8	42	12	4,5	7

Φρέζα με μπίλια φορμαρίσματος για κοίλωμα (Εικ. 50)

χιλ

Δ	A 1	A 2	A 3	A 4	L 1	L 2	L 3	R
6	20	18	12	8	40	10	5,5	3
6	26	22	12	8	42	12	5	5

Φρέζα με μπίλια για Ρωμαϊκό οξυκόρυφο τόξο (Εικ. 51)

χιλ

Δ	A 1	A 2	L 1	L 2	L 3	R1	R2
6	20	8	40	10	4,5	2,5	4,5
6	26	8	42	12	4,5	3	6

Για τα μοντέλα RP1800, RP1800F, RP1801**Για τις ευρωπαϊκές χώρες μόνο****Θόρυβος**

ENG102-1

Το σύνθηες σταθμισμένο επίπεδο θορύβου που έχει καθοριστεί σύμφωνα με την EN60745-2-17:

Επίπεδο ηχητικής πίεσης (L_{pA}): 86 dB (A)

Επίπεδο ηχητικής ισχύος (L_{WA}): 97 dB (A)

Αβεβαιότητα (K): 3 dB (A)

Να φοράτε ωτοασπίδες**Δόνηση**

NEG223-1

Η συνολική τιμή δόνησης (διανυσματικό άθροισμα τριών αξόνων) που έχει καθοριστεί σύμφωνα με την EN60745-2-17:

Κατάσταση λειτουργίας: διάνοιξη αυλακώσεων σε MDF

Εκπομπή δόνησης (a_{h1}): 4,0 m/s²

Αβεβαιότητα (K): 1,5 m/s²

Για τα μοντέλα RP2300FC, RP2301FC**Για τις ευρωπαϊκές χώρες μόνο****Θόρυβος**

ENG102-1

Το σύνθηες σταθμισμένο επίπεδο θορύβου που έχει καθοριστεί σύμφωνα με την EN60745-2-17:

Επίπεδο ηχητικής πίεσης (L_{pA}): 87 dB (A)

Επίπεδο ηχητικής ισχύος (L_{WA}): 98 dB (A)

Αβεβαιότητα (K): 3 dB (A)

Να φοράτε ωτοασπίδες**Δόνηση**

ENG223-1

Η συνολική τιμή δόνησης (διανυσματικό άθροισμα τριών αξόνων) που έχει καθοριστεί σύμφωνα με την EN60745-2-17:

Κατάσταση λειτουργίας: διάνοιξη αυλακώσεων σε MDF

Εκπομπή δόνησης (a_{h1}): 4,5 m/s²

Αβεβαιότητα (K): 1,5 m/s²

EC – ΔΗΛΩΣΗ ΣΥΜΜΟΡΦΩΣΗΣ

ENH101-9

Μοντέλο:**RP1800, RP1800F, RP1801, RP2300FC, RP2301FC**

Δηλώνουμε με αποκλειστική ευθύνη μας ότι το προϊόν αυτό συμμορφώνεται με τα ακόλουθα πρότυπα των τυποποιημένων εντύπων:

EN60745, EN55014, EN61000 σε συμφωνία με τις Οδηγίες της Επιτροπής, 2004/108/EK, 98/37/EK.

CE2008


Tomoyasu Kato
Διευθυντής

Υπεύθυνος Κατασκευαστής:

Makita Corporation

3-11-8, Sumiyoshi-cho, Anjo, Aichi, JAPAN

Εξουσιοδοτημένος Αντιπρόσωπος στην Ευρώπη:

Makita International Europe Ltd.

Michigan Drive, Tongwell, Milton Keynes, Bucks MK15
8JD, ENGLAND (ΑΓΓΛΙΑ)

Makita Corporation
Anjo, Aichi, Japan

884877A996